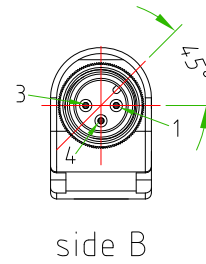
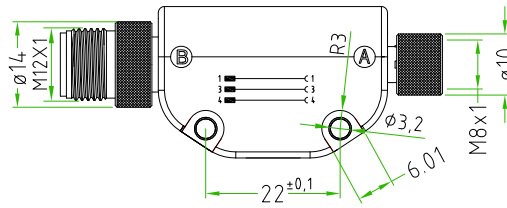
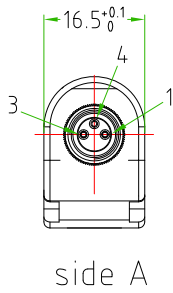
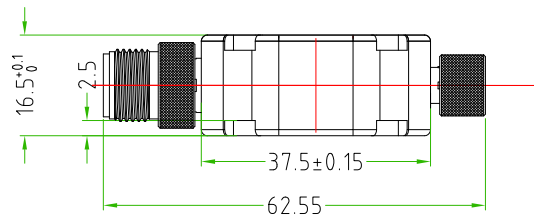
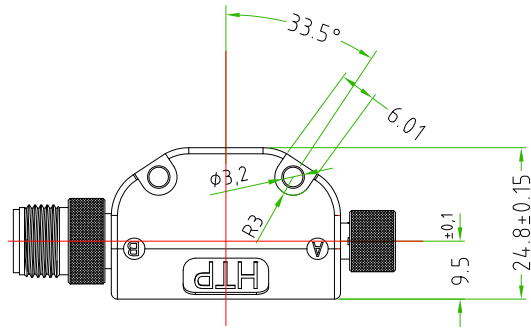
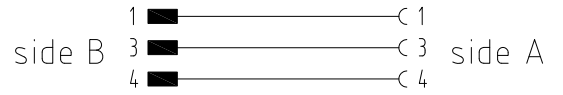


Rev.	
Modify	
Date	
Signed	
Approved	

Rev.	
Modify	
Date	
Signed	
Approved	

Rev.	
Modify	
Date	
Signed	
Approved	



CUSTOMER APPROVAL

SIGNATURE	DATE

PLEASE SIGN AND RETURN

CONNECTOR FEATURES	PRODUCT TYPE	M8-M12 ADAPTOR
	CONTACTS TYPE	SIDE A: M8 FEMALE 3POLES SIDE B: M12 MALE 3POLES
	HOUSING MATERIAL	POLYPROPYLENE
	COLOUR	BLACK
	COUPLING NUT MATERIAL	BRASS+NICKEL PLATED
	NUMBER OF CONTACTS CONNECTED	N°3
	CIRCUIT TYPE	PARALLEL
	RATED VOLTAGE	50V AC/ 60V DC
	RATED CURRENT	3A
FIXING HOLES DIAMETER(x2)	ø3,2	
FIXING HOLES DISTANCE	22mm	
PRODUCT WITH H.T.P.LOGO		
PAY ATTENTION TO ALL THE POLARIZATION KEYS POSITIONING OF EACH CONNECTOR.		

Designer	SUGLIANI R.	Date	2016-10-19	Tolerance	±0.3	Units:	mm	Series	M8-M12 ADAPTOR	Drawing n.
Approved	CIMMINO L.	Date	2016-10-19	Scale	1:1	Size:	A4	Customer code:		

DESCRIPTION
 M8-M12 ADAPTOR CONNECTOR, BLACK, PARALLEL CIRCUIT, WITH N°2 CONNECTORS:
 M8 FEMALE 3POLES(SIDE A)+M12 MALE 3POLES(SIDE B)
 CONNECTOR WITH H.T.P.LOGO

H.T.P.PART NUMBER
 08FD3-12MD3



A4

