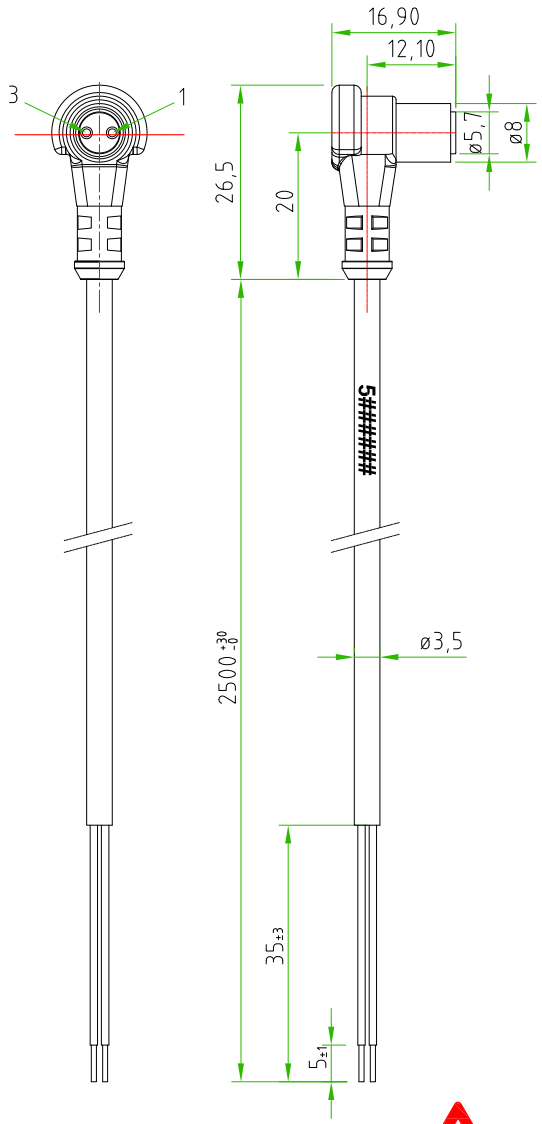


Rev.	Modify	Date	Signed	Approved

Rev.	Modify	Date	Signed	Approved

Rev.	Modify	Date	Signed	Approved
01	-	2021.04.07	SUGLIANI	CIMMINO

BROWN ○ ————— C 1  
 BLUE ○ ————— C 3

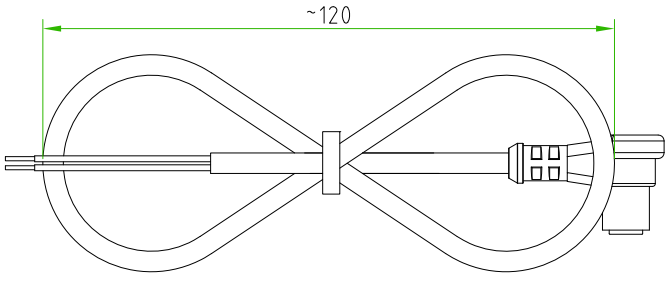


CONNECTOR FEATURES	PRODUCT TYPE	M8 SNAP CIRCULAR CONNECTOR WITH MOULDED CABLE
	CONNECTOR TYPE	ANGLED 90°
	CONTACTS TYPE	FEMALE 2POLES
	NUMBER OF CONTACTS CONNECTED	N°2
	PROTECTION CLASS	IP69K
	RATED VOLTAGE	50V AC / 60V DC
	RATED CURRENT	3A
	CONNECTOR WITHOUT H.T.P.LOGO	
CABLE FEATURES	H.T.P.CABLE CODE	CAVO N-2
	NUMBER OF CONDUCTORS	N°2
	CONDUCTORS SECTION	0,25mm <sup>2</sup>
	CABLE MATERIAL	PVC (CEI2022)
	COATING COLOUR	GREY RAL7032
	CONDUCTORS INSULATION MATERIAL	PVC
	CABLE LENGHT	2500mm
	STRIPPING	35mm STANDARD
	PEELING AND TINNING	5mm STANDARD
	CABLE DIAMETER	ø3,5mm
ON THE CABLE, NEAR THE CONNECTOR HEAD, MUST BE SILK PRINTED THE H.T.P. PRODUCTION DATE CODE 5#####		



**REV.01**

- DO NOT INSERT THE SINGLE CONNECTOR INTO THE PLASTIC BAG.
- ROLL UP THE CABLE OF THE CONNECTOR (MAX ROLLED UP CABLE LENGTH= ~120mm) YOU HAVE ALSO TO CLOSE THE CABLE WITH A SINGLE METAL PLASTIFIED WIRE.



CUSTOMER APPROVAL	
SIGNATURE	DATE
PLEASE SIGN AND RETURN	

Designer	CIMMINO L.	Date	2015-01-27	Tolerance	±0.3	Units:	mm	Series	M8	Drawing n.	1-1
Approved	MAZZOLA M.	Date	2015-01-27	Scale	1:1	Size:	A4	Customer code:			

	DESCRIPTION	H.T.P.PART NUMBER
	CIRCULAR CONNECTOR M8 SNAP, FEMALE, ANGLED 90°, 2POLES, WITH CABLE PVC/PVC CEI2022 2x0.25mm <sup>2</sup> , GREY COLOUR, RAL7032, L=2,5m, CONNECTOR WITHOUT H.T.P.LOGO	08FY2N2E-Y

