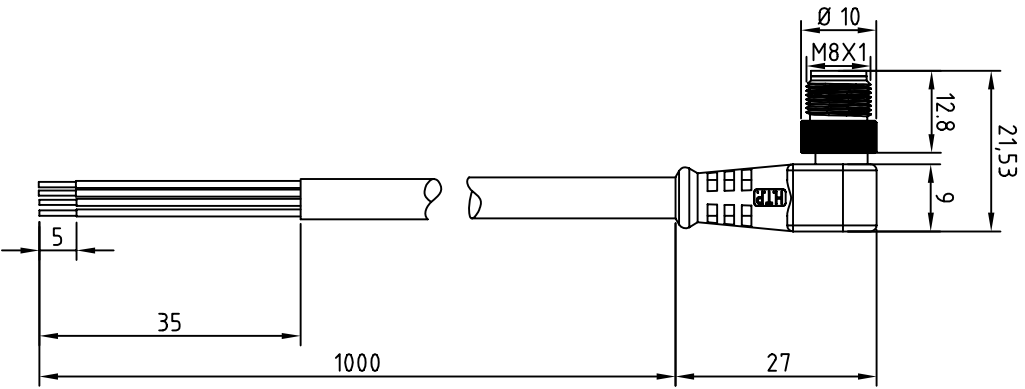
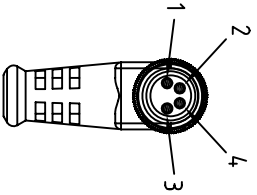


- BROWN 1
- WHITE 2
- BLUE 3
- BLACK 4



CABLE FEATURES		CONNECTOR FEATURES	
CONNECTOR TYPE	M8	CONNECTOR WITH H.T.P. LOGO	N°4
CONTACT TYPE	MALE 4POLES	H.T.P. CABLE CODE	C
CABLE LENGTH	1000mm	NUMBER OF CONDUCTORS	N°4
PROTECTION CLASS	IP69K	CONDUCTOR SECTION	0.25mm ²
STRIPPING	35mm STANDARD	CABLE MATERIAL	PUR
PEELING	5mm STANDARD	COATING COLOUR	BLACK
NUMBER OF CONTACTS CONNECTED	N°4	CONDUCTOR INSULATION MATERIAL	PUR

TOLLERANZE		DISIGNATORE		DATA		SCALA		DESIGNO N.		
UDH	ANGOLO	LORENZO CIMMINO CONTROLATO		17-11-10		1:1		MATERIALE		
DESCRIZIONE M8 MALE 90° 4 POLES WITH CABLE PUR/PUR,4X0.25mm ² ,BLACK,L=1m				TPO		M8				
HTP High Tech Products H.T.P. HIGH TECH PRODUCTS				CODICE 08MA4C1Z						