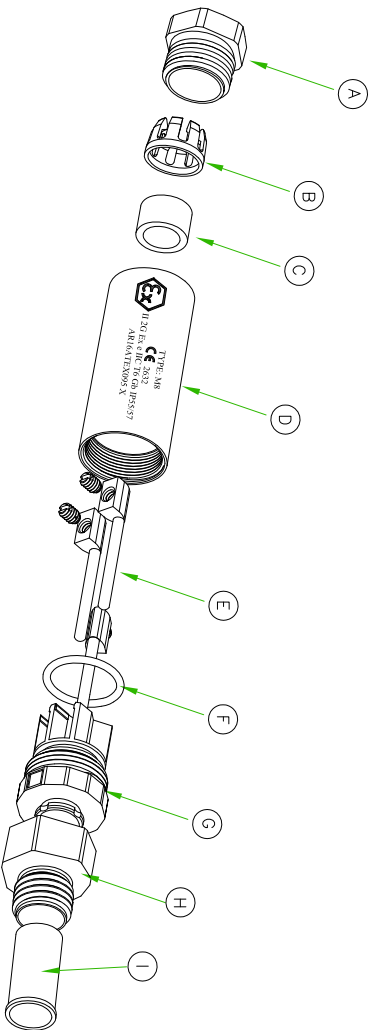
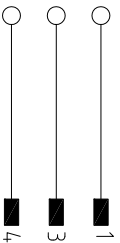


DATE	REV.	DESCRIPTION	NAME
13/10/2014	01	On the connector housing must be changed the silk print and the ATEX logo. On the label on the plastic bag must be changed the silk print and the ATEX logo. See the drawing	LORENZO CIMINO
24/03/2017	02	On the connector housing is changed the silk print and the ATEX logo. On the label of the plastic bag is changed the silk print and the ATEX logo. Is changed the new operating instruction. See the drawing	ROBERTO SUGLIANI
07/08/2018	03	On the ATEX label and on the operating instructions must be added MADE IN CHINA	ROBERTO SUGLIANI



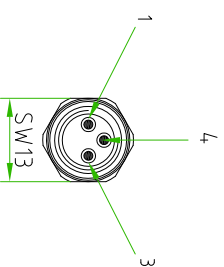
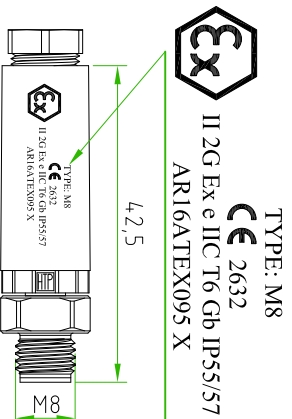
PACKAGING:
 SINGLY PACKED IN THE PLASTIC BAG
 IN THE PLASTIC BAG MUST BE INSERTED THE
 NEW OPERATING INSTRUCTION FOR CIRCULAR CONNECTORS.



PLASTIC BAG
 PRODUCTION YEAR
 EXAMPLE: 2013
 2014
 2015...

H.T.P. PRODUCTION CODE
REV.03
 WHITE LABEL

PAY ATTENTION: REV. 02



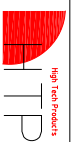
A	PRESS CABLE SREW
B	LAMELLE PRESS-CABLE SEAL
C	GASKET PRESS-CABLE SEAL
D	HOUSING BLACK
E	SCREW CONTACT GOLD PLATED
F	O-RING
G	INTERNAL CORE M8
H	M8 NUT Brass+nickel plated (CuZnNi)
I	COOPER DUCT

CONNECTOR FEATURES

PRODUCT TYPE	M8 FIELD ATTACHABLE
CONTACT TYPE	SCREW MALE
NUMBER OF CONTACTS	3POLES
HOUSING MATERIAL	PA66 -CM3004V0
HOUSING TYPE	180°
HOUSING COLOR	BLACK
RATED VOLTAGE	60V AC/DC
RATED CURRENT	4A
COUPLING NUT MATERIAL	Brass+nickel plated (CuZnNi)
O-RING	NBR
CONNECTOR WITH H.T.P. LOGO	

! THIS CODE IS SPECIAL BECAUSE IS THE ATEX CONNECTORS MAIN REFERENCE NORM:ATEX 2014/34/EU MATERIAL PA66 - CM3004V0 (Material:V0 UL/CSA), FOR ALL COMPONENT OF THE CONNECTOR

TOLLERANZE	DISIGNAZIONE	DATA	SCALA	DISIGNO N.
±0,2	LORENZO CIMINO	23.05.14	1:1	1/2
UDM	ANGOLO	CONTROLLATO		
DESCRIZIONE M8 MALE STRAIGHT 180° 3 POLES WITH H.T.P. LOGO, BLACK HOUSING, FIELD ATTACHABLE WITH SCREW CONTACT, CONNECTOR MAIN REFERENCE NORM ATEX 2014/34/EU				
			TR90	MATERIALE
			M8	
			CODE	
			08MC3000-S-ATEX	



H.T.P.
 HIGH TECH PRODUCTS

H.T.P.
 HIGH TECH PRODUCTS

