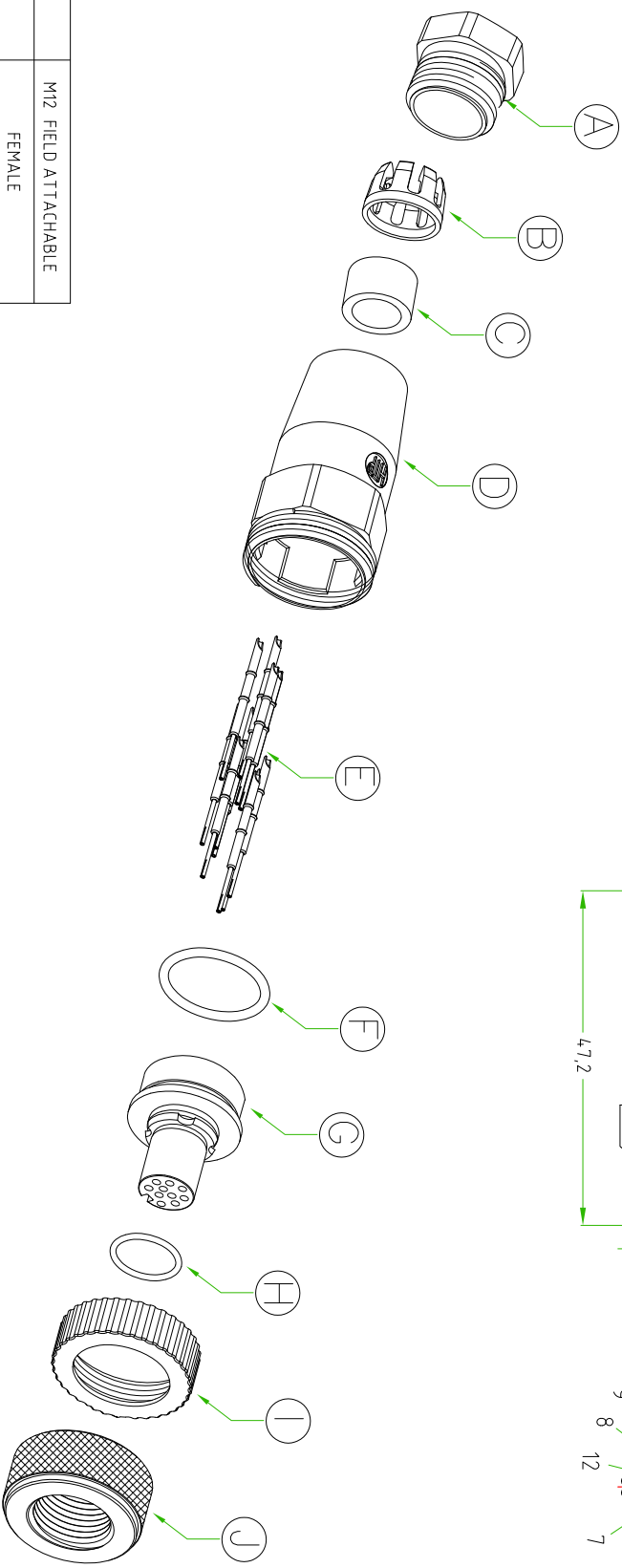
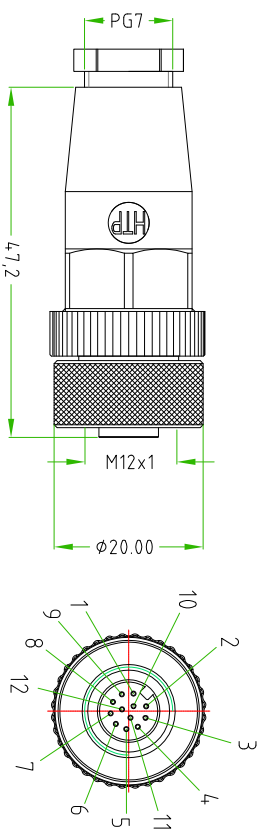


DATE	REV.	DESCRIPTION	NAME
14.12.2020	01	CONNECTOR WITH H.T.P. LOGO	LORENZO CHINNO



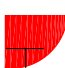
CONNECTOR FEATURES	
PRODUCT TYPE	M12 FIELD ATTACHABLE
CONTACT TYPE	FEMALE
NUMBER OF CONTACTS	12POLES
HOUSING MATERIAL	PA66+15%FIBER GLASS
HOUSING TYPE	180°
EXIT CABLE	PG7
HOUSING COLOUR	BLACK
RATED VOLTAGE	30V AC/DC
RATED CURRENT	15A
COUPLING NUT MATERIAL	Brass+nickel plated (CuZnNi)
O-RING	NBR
PROTECTION CLASS	IP67

A	HEXAGONAL PRESS CABLE SREW
B	LAMELLAE PRESS-CABLE SEAL
C	GAKET PRESS-CABLE SEAL
D	HOUSING BLACK
E	SOLDERED CONTACT GOLD PLATED
F	O-RING
G	INTERNAL CORE M12
H	O-RING
I	PLASTIC NUT FOR HOUSING
J	M12 NUT Brass+nickel plated (CuZnNi)



TOLLERANZE	DISIGNAZIONE	DATA	SCALA	PESO
UDM	±0.2 ANGOLIO CONTROLLATO	14.12.2020	1:1	

DESCRIZIONE	TPO	MATERIALE
M12 FEMALE FIELD ATTACHABLE 12 POLES 180° BLACK PG7 HEXAGONAL PRESS CABLE SCREW CONNECTOR WITH H.T.P. LOGO	M12	


H.T.P. HIGH TECH PRODUCTS
 H.T.P. CODE: **12FC12000-H**