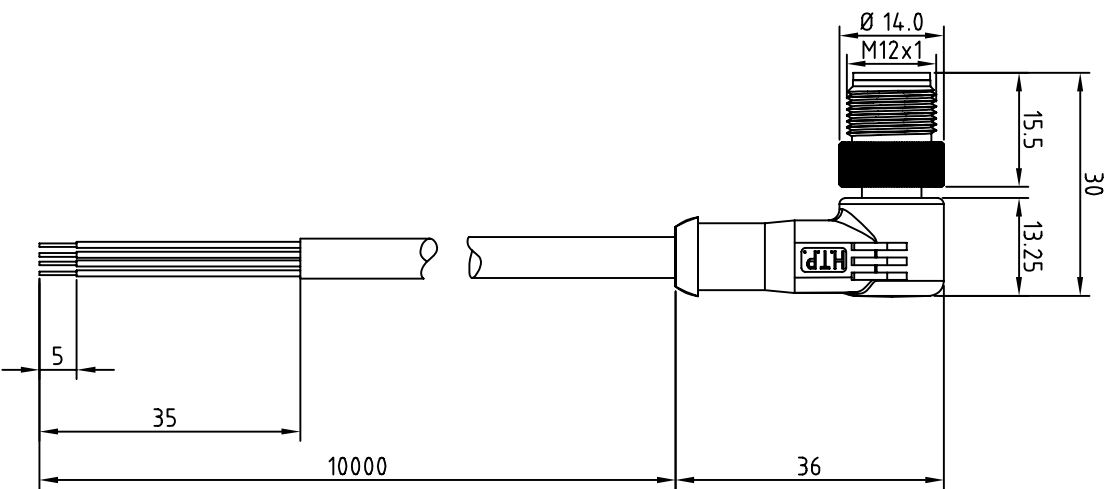
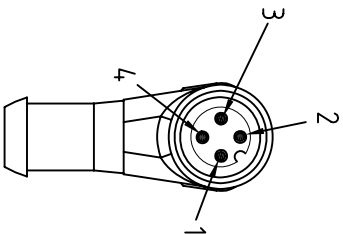


- BROWN — 1
- WHITE — 2
- BLUE — 3
- BLACK — 4



CABLE FEATURES		CONNECTOR FEATURES	
CONNECTOR TYPE	M12	CONNECTOR WITH H.T.P. LOGO	N°4
CONTACT TYPE	MALE 4POLES	H.T.P. CABLE CODE	A
CABLE LENGTH	10000mm	NUMBER OF CONDUCTORS	N°4
PROTECTION CLASS	IP69K	CONDUCTOR SECTION	0.25mm <sup>2</sup>
STRIPPING	35mm STANDARD	CABLE MATERIAL	PVC CEI2022
PEELING	5mm STANDARD	COATING COLOUR	BLACK
NUMBER OF CONTACTS CONNECTED	N°4	CONDUCTOR INSULATION MATERIAL	PVC

TOLLERANZE	DISEGNATORE	DATA	SCALA	OSSEGNO K.
U4M	LORENZO CHINNO CONTROLLATO	07.09.10	1:1	
DESCRIZIONE M12 MALE 90° 4 POLES WITH CABLE PVC/PVC,CEI2022,4X0.25mm <sup>2</sup> ,BLACK,L=10m		TR0	M12	MATERIALE
<b>HTP</b> HIGH TECH PRODUCTS		<b>H.T.P.</b> HIGH TECH PRODUCTS		<b>12MA4A10</b>