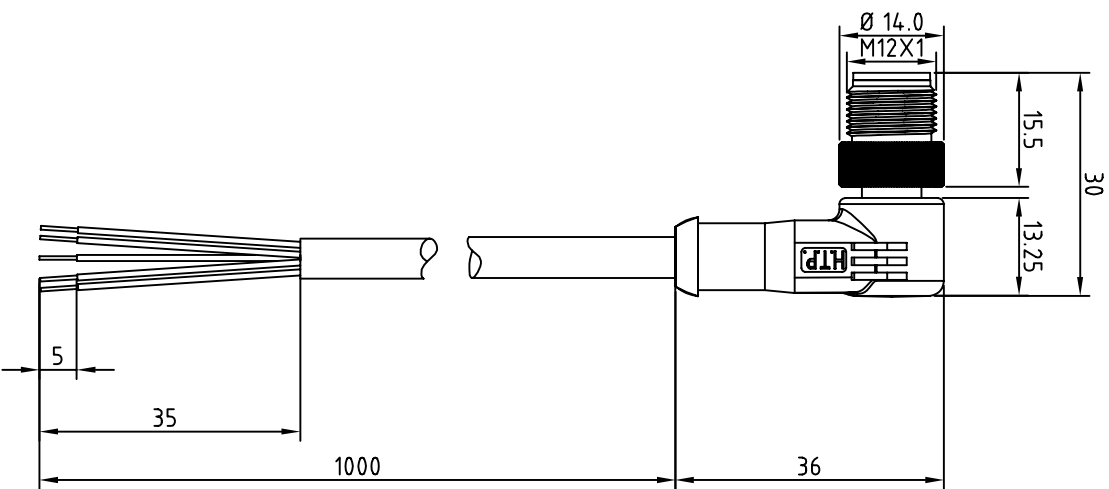
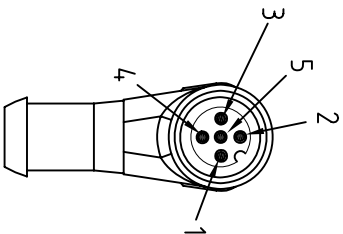


- BROWN — 1
- WHITE — 2
- BLUE — 3
- BLACK — 4
- GREY — 5



CABLE FEATURES		CONNECTOR FEATURES	
CONNECTOR TYPE	M12	CONNECTOR WITH H.T.P. LOGO	N°5
CONTACT TYPE	MALE SPOLES	H.T.P. CABLE CODE	A
CABLE LENGTH	1000mm	NUMBER OF CONDUCTORS	N°5
PROTECTION CLASS	IP69K	CONDUCTOR SECTION	0.25mm ²
STRIPPING	35mm STANDARD	CABLE MATERIAL	PVC CEI2022
PEELING	5mm STANDARD	COATING COLOUR	BLACK
NUMBER OF CONTACTS CONNECTED	N°5	CONDUCTOR INSULATION MATERIAL	PVC

TOLLERANZE	DISEGNATORE	DATA	SCALA	DISSEGNO K.
U4H	ANGELO	LORENZO CHINNO CONTROLLATO	25.08.09	1:1
DESCRIZIONE	M12 MALE 90° 5 POLES, WITH CABLE PVC/PVC, CEI2022, 5X0.25mm ² , BLACK, L=1m		TR0	MATERIALE
			M12	
H.T.P. HIGH TECH PRODUCTS			CODE	12MA5A1Z