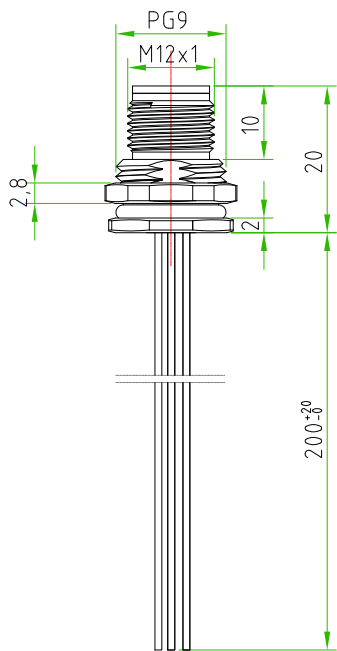
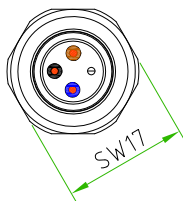


BROWN ○ ———— ■ 1
 N.C. ■ 2
 BLUE ○ ———— ■ 3
 BLACK ○ ———— ■ 4

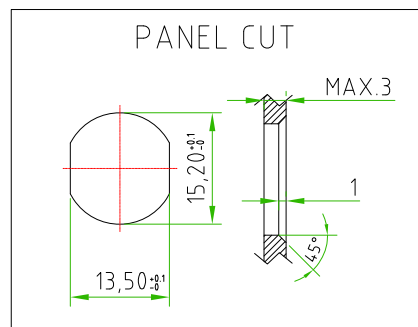
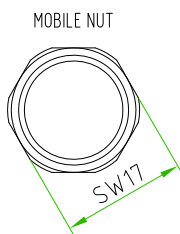
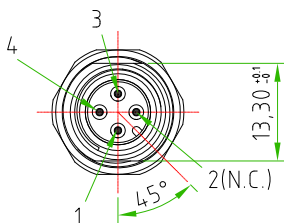


| CONNECTOR FEATURES | |
|--------------------------------|--|
| PRODUCT TYPE | M12 CIRCULAR CONNECTOR TO PANEL WITH WIRES |
| TYPE MOUNTING | BACK MOUNTING |
| CONTACTS TYPE | MALE 4 POLES |
| NUMBER OF CONTACTS CONNECTED | N°3 |
| HOUSING MATERIAL | BRASS+NICKEL PLATED |
| O-RING MATERIAL | NBR |
| FIXING THREAD | PG9 |
| SIZE CUT | 13,30mm (+0,1/-0) |
| SIZE FIXED NUT(SW) | SW17 |
| SIZE MOBILE NUT(SW) | SW17 |
| PROTECTION CLASS | IP67 |
| RATED VOLTAGE | 250V AC/DC |
| RATED CURRENT | 4 A |
| CONNECTOR WITHOUT ANY LOGO | |
| WIRES FEATURES | |
| NUMBER OF CONDUCTORS | N°3 |
| CONDUCTORS SECTION | 0,34mm ² |
| CONDUCTORS INSULATION MATERIAL | PVC |
| CONDUCTORS LENGTH | 200mm |

| | | |
|----------|--|--|
| Rev. | | |
| Modify | | |
| Date | | |
| Signed | | |
| Approved | | |

| | | |
|----------|--|--|
| Rev. | | |
| Modify | | |
| Date | | |
| Signed | | |
| Approved | | |

| | | |
|----------|--|--|
| Rev. | | |
| Modify | | |
| Date | | |
| Signed | | |
| Approved | | |

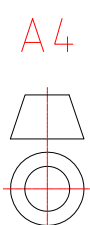


PAY ATTENTION to the position of the polarization key towards the CUT and the exagonal fixing nut.

CUSTOMER APPROVAL

| | |
|------------------|-------------|
| <i>SIGNATURE</i> | <i>DATE</i> |
| | |

PLEASE SIGN AND RETURN



| | | | | | | | | | | |
|----------|-------------|------|------------|-----------|------|--------|----|----------------|-----|-------------------|
| Designer | SUGLIANI R. | Date | 2019-06-18 | Tolerance | ±0.3 | Units: | mm | Series | M12 | Drawing n. 1-1 |
| Approved | CIMMINO L. | Date | 2019-06-18 | Scale | 1:1 | Size: | A4 | Customer code: | | |



DESCRIPTION
 CIRCULAR CONNECTOR M12, MALE, TO PANEL, 4 POLES (N°3 CONNECTED), BACK MOUNTING, PG9 THREAD, COMPLETE WITH CUT, WITH N°4 WIRES PVC 0,34mm² L=200mm
 CONNECTOR WITHOUT ANY LOGO

H.T.P.PART NUMBER

12MR3B0B-PG9-CUT