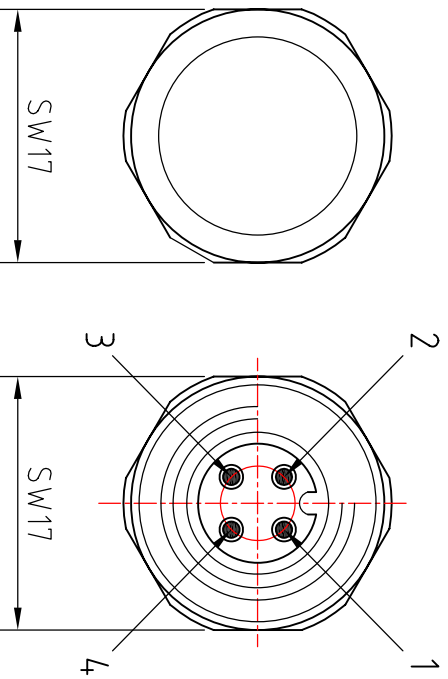
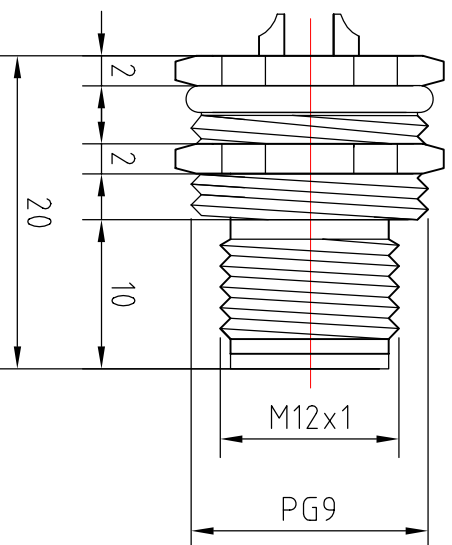


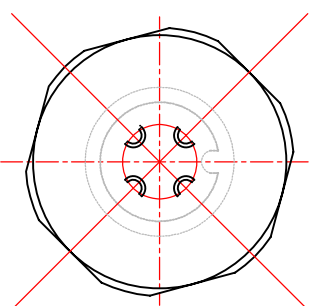
Frontal view




Lateral view



Back view



CONNECTOR FEATURES	
CONNECTOR TYPE	M12 TO PANEL
MOUNTING TYPE	BACK
CONTACT TYPE	MALE
NUMBER OF CONTACTS CONNECTED	n°4
HOUSING MATERIAL	METAL (CuZn/Ni)
THREAD	PG9
SWITCH FIXED NUT	SW17
CONTACT TYPE	SOLDERED FOR WIRES

TOLLERANZE	±0,2	DESIGNATORE	DATA	SCALE	DESIGNO N.
UANI	ANGOLO	DISSEGNO CHIAMO	12.11.09	2:1	
		CONTROLLATO			
DESCRIZIONE			TR0		MATERIALE
M12 MALE PANEL 4 POLES BACK MOUNTING					M12
PG9 FOR SOLDERED WIRES					
 H.T.P. HIGH TECH PRODUCTS		CODE	12MR4000-PG9		