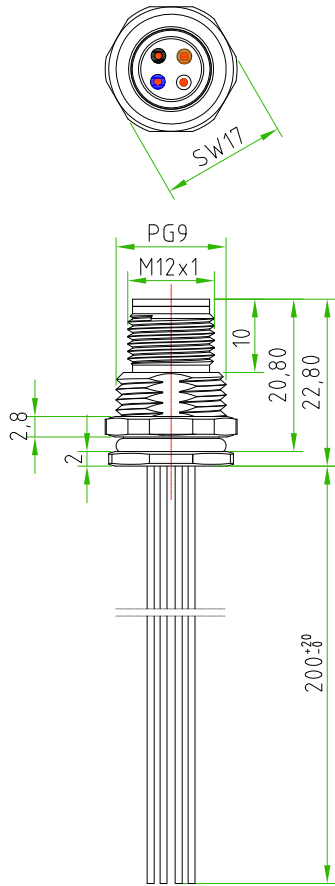
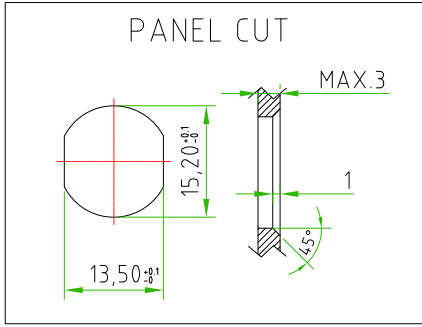
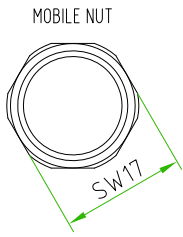
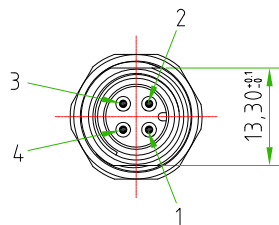


Rev.									
Modify									
Date									
Signed									
Approved									
Rev.									
Modify									
Date									
Signed									
Approved									
Rev.									
Modify									
Date									
Signed									
Approved									

- BROWN ○ ————— ■ 1
- WHITE ○ ————— ■ 2
- BLUE ○ ————— ■ 3
- BLACK ○ ————— ■ 4



CONNECTOR FEATURES	PRODUCT TYPE	M12 CIRCULAR CONNECTOR TO PANEL WITH WIRES
	TYPE MOUNTING	BACK MOUNTING
	CONTACTS TYPE	MALE 4POLES
	NUMBER OF CONTACTS CONNECTED	N°4
	HOUSING MATERIAL	BRASS+NICKEL PLATED
	O-RING MATERIAL	NBR
	FIXING THREAD	PG9
	SIZE CUT	13,30mm (+0,1/-0)
	SIZE FIXED NUT(SW)	SW17
	SIZE MOBILE NUT(SW)	SW17
	PROTECTION CLASS	IP67
	RATED VOLTAGE	250V AC/DC
RATED CURRENT	4A	
CONNECTOR WITHOUT ANY LOGO		
WIRES FEATURES	NUMBER OF CONDUCTORS	N°4
	CONDUCTORS SECTION	0,25mm <sup>2</sup>
	CONDUCTORS INSULATION MATERIAL	PVC
	CONDUCTORS LENGHT	200mm



PAY ATTENTION to the position of the polarization key towards the CUT and the exagonal fixed nut. The polarization key must be 180° in reference to the CUT of the thread

CUSTOMER APPROVAL

SIGNATURE	DATE

PLEASE SIGN AND RETURN

A4

Designer	CIMMINO L.	Date	2015-11-05	Tolerance	±0.3	Units:	mm	Series	M12	Drawing n.
Approved	MAZZOLA M.	Date	2015-11-05	Scale	1:1	Size:	A4	Customer code:		



DESCRIPTION  
CIRCULAR CONNECTOR M12, MALE, TO PANEL, 4POLES, BACK MOUNTING, PG9 THREAD, COMPLETE WITH CUT (POLARIZATION KEY OF THE CONNECTOR MUST BE POSITIONED 180° TOWARDS THE CUT), WITH N°4 WIRES PVC 0,25mm<sup>2</sup> L=200mm. CONNECTOR WITHOUT ANY LOGO

H.T.P.PART NUMBER  
12MR4A0B-PG9-CUT-180