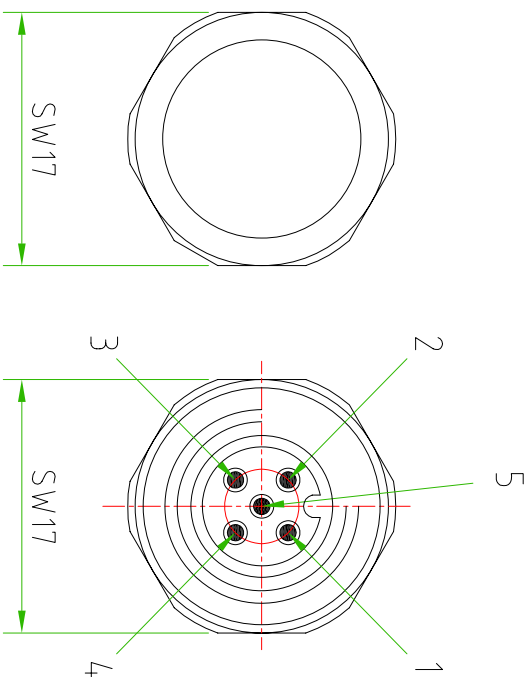
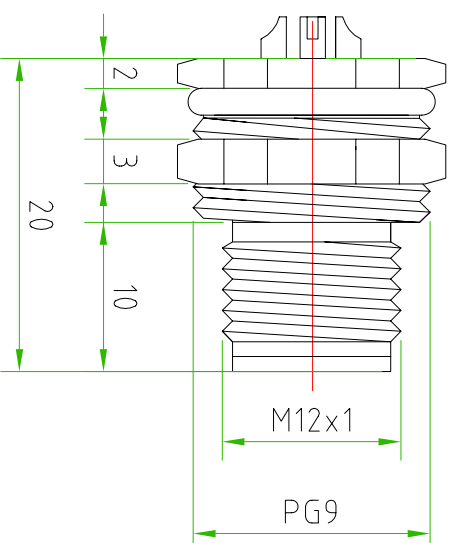


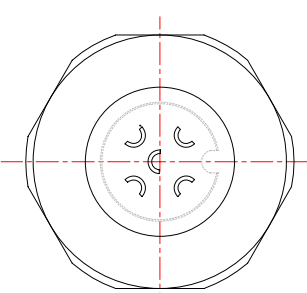
Frontal view



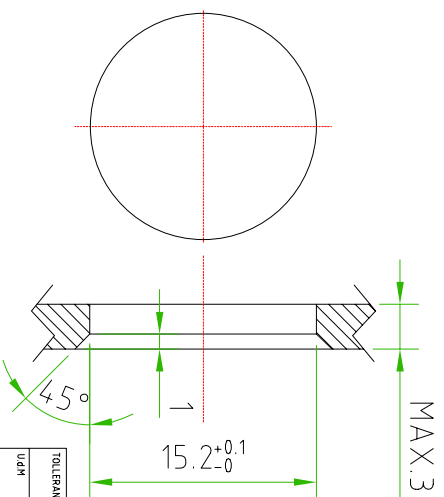
Lateral view



Back view



PANEL SIZE



CONNECTOR FEATURES	
CONNECTOR TYPE	M12 TO PANEL
MOUNTING TYPE	BACK
CONTACT TYPE	MALE
NUMBER OF CONTACTS CONNECTED	n°5
HOUSING MATERIAL	Brass+nickel plated (CuZnNi)
FIXING THREAD	PG9
SWITCH FIXED NUT	SW17
CONTACT TYPE	SOLDERED CONTACTS
RATED VOLTAGE	60V
RATED CURRENT	4A

TOLLERANZE	±0.2	DISIGNATORE	DATA	SCALA	DISIGNO N.
UDM	ANGOLO	LORENZO CHINNO CONTROLLATO	19.02.10	2:1	
DESCRIZIONE		M12 MALE PANEL 5 POLES BACK MOUNTING PG9, WITH SOLDERED CONTACTS		TR90	MATERIALE
				M12	
H.T.P. HIGH TECH PRODUCTS				CODE	12MR5000-PG9