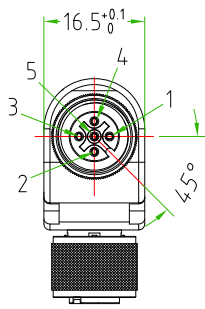
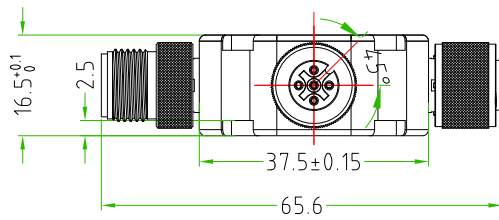
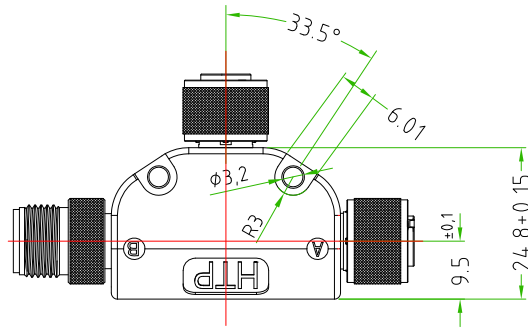
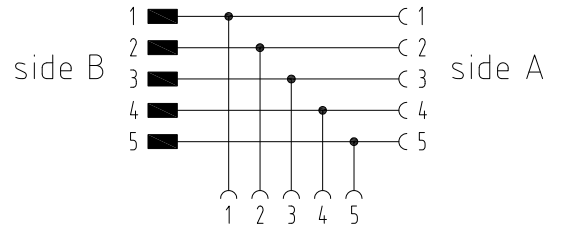


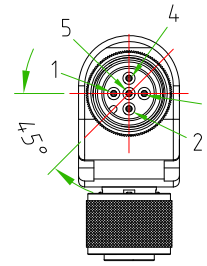
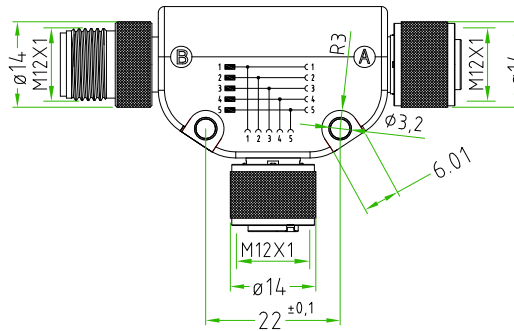
Rev.	Modify	Date	Signed	Approved

Rev.	Modify	Date	Signed	Approved

Rev.	Modify	Date	Signed	Approved



side A



side B

CUSTOMER APPROVAL

SIGNATURE	DATE

PLEASE SIGN AND RETURN

CONNECTOR FEATURES	PRODUCT TYPE	M12 TT CIRCULAR CONNECTOR
	CONTACTS TYPE	SIDE A: FEMALE 5POLES SIDE B: MALE 5POLES INPUT: FEMALE 5POLES
	HOUSING MATERIAL	POLYPROPYLENE
	COLOUR	BLACK
	COUPLING NUT MATERIAL	BRASS+NICKEL PLATED
	NUMBER OF CONTACTS CONNECTED	N°5
	CIRCUIT TYPE	PARALLEL
	RATED VOLTAGE	60V AC/DC
	RATED CURRENT	4A
	FIXING HOLES DIAMETER(x2)	3.2mm
FIXING HOLES DISTANCE	22mm	
PRODUCT WITH H.T.P.LOGO		
PAY ATTENTION TO ALL THE POLARIZATION KEYS POSITIONING OF EACH OF THE THREE CONNECTORS.		

Designer	CIMMINO L.	Date	2016-02-16	Tolerance	±0.3	Units:	mm	Series	M12 TT	Drawing n.
Approved	MAZZOLA M.	Date	2016-02-16	Scale	1:1	Size:	A4	Customer code:		

DESCRIPTION
 M12 TT CONNECTOR, BLACK, PARALLEL CIRCUIT, WITH N°3 CONNECTORS:
 FEMALE 5POLES(SIDE A)+MALE 5POLES(SIDE B)+M12 FEMALE 5POLES
 CONNECTOR WITH H.T.P.LOGO

H.T.P.PART NUMBER

12TT35000



A4

