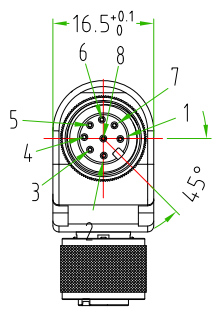
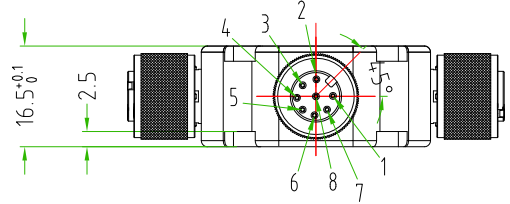
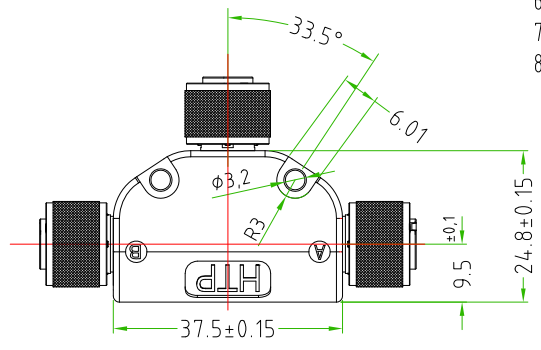
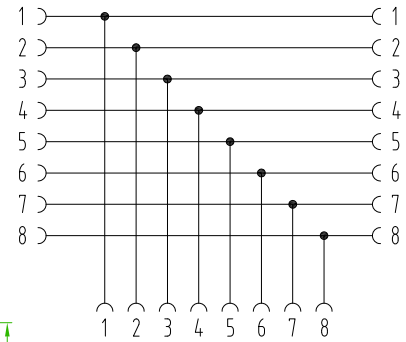


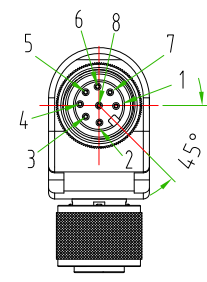
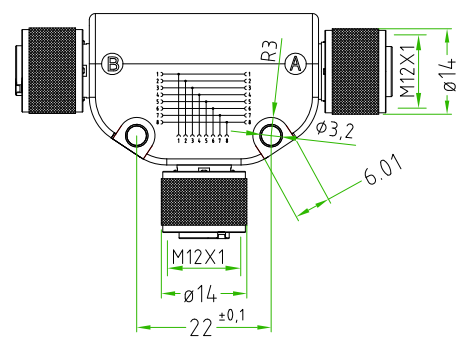
Rev.	Modify	Date	Signed	Approved

Rev.	Modify	Date	Signed	Approved

Rev.	Modify	Date	Signed	Approved



side A



side B

CUSTOMER APPROVAL

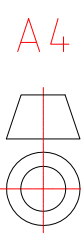
SIGNATURE	DATE

PLEASE SIGN AND RETURN

CONNECTOR FEATURES	PRODUCT TYPE	M12 TT CIRCULAR CONNECTOR
	CONTACTS TYPE	SIDE A: FEMALE 8POLES SIDE B: FEMALE 8POLES INPUT: FEMALE 8POLES
	HOUSING MATERIAL	POLYPROPYLENE
	CONNECTOR BODY COLOUR	BLACK
	COUPLING NUT MATERIAL	BRASS+NICKEL PLATED
	NUMBER OF CONTACTS CONNECTED	N°8
	CIRCUIT TYPE	PARALLEL
	RATED VOLTAGE	30V AC/DC
	RATED CURRENT	2A
	FIXING HOLES DIAMETER(x2)	Ø3,2
	FIXING HOLES DISTANCE	22mm
	PRODUCT WITH H.T.P.LOGO	

! PAY ATTENTION TO ALL THE POLARIZATION KEYS POSITIONING OF EACH OF THE THREE CONNECTORS.

Designer	CIMMINO L.	Date	2019-04-19	Tolerance	±0.3	Units:	mm	Series	M12 TT	Drawing n.
Approved	MAZZOLA M.	Date	2019-04-19	Scale	1:1	Size:	A4	Customer code:		



DESCRIPTION
M12 TT CONNECTOR, BLACK, PARALLEL CIRCUIT, WITH N°3 CONNECTORS:
FEMALE 8POLES(SIDE A)+FEMALE 8POLES(SIDE B)+M12 FEMALE 8POLES.
PARALLEL CIRCUIT.
CONNECTOR WITH H.T.P.LOGO

H.T.P.PART NUMBER
12TT88000-3F