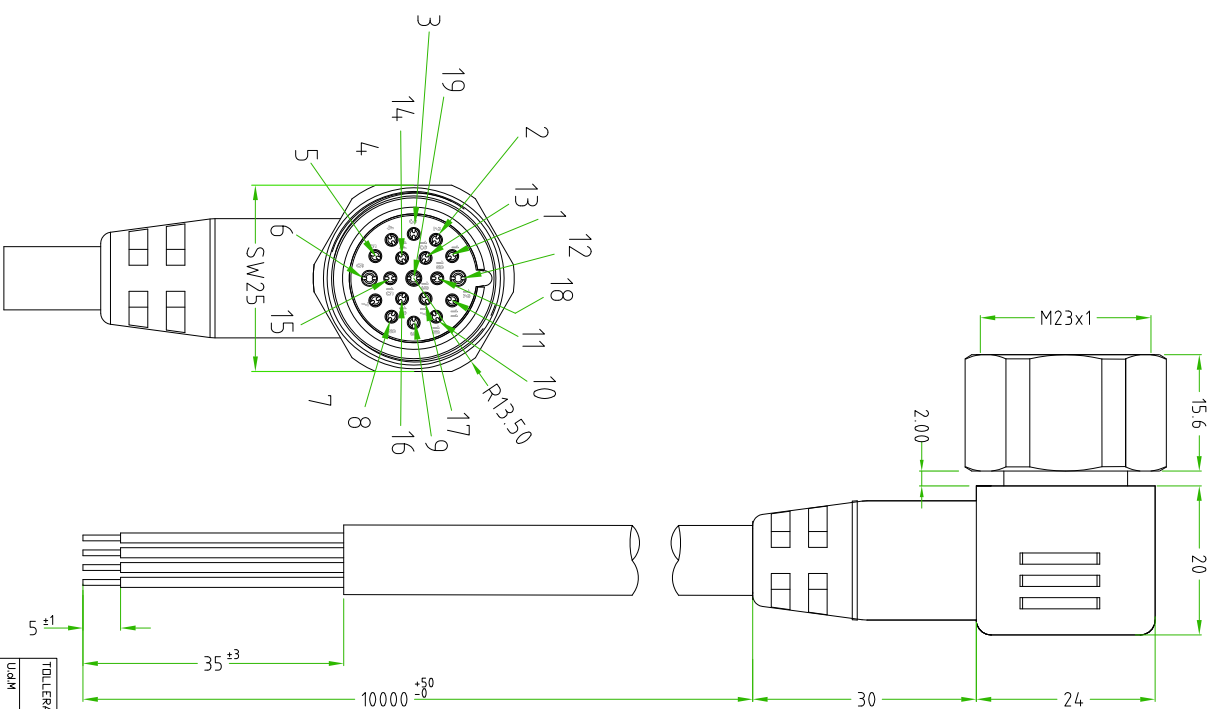


# ELECTRICAL SCHEME:

- PURPLE ○ — C 1
- RED ○ — C 2
- GREY ○ — C 3
- RED/BLUE ○ — C 4
- GREEN ○ — C 5
- BLUE ○ — C 6
- GREY/PINK ○ — C 7
- WHITE/GREEN ○ — C 8
- WHITE/YELLOW ○ — C 9
- WHITE/GREY ○ — C 10
- BLACK ○ — C 11
- YELLOW/GREEN ○ — C 12
- YELLOW/BROWN ○ — C 13
- BROWN/GREEN ○ — C 14
- WHITE ○ — C 15
- YELLOW ○ — C 16
- PINK ○ — C 17
- GREY/BROWN ○ — C 18
- BROWN ○ — C 19




CABLE FEATURES		CONNECTOR FEATURES	
PRODUCT TYPE		M23 ANGLED 90°	
CONTACT TYPE		FEMALE 19POLES	
CABLE LENGTH		10000mm	
PROTECTION CLASS		IP68	
STRIPPING		35mm STANDARD	
PEELING AND TINNING		5mm STANDARD	
NUMBER OF CONTACTS CONNECTED		N°19	
CONNECTOR WITHOUT H.T.P LOGO			
H.T.P. CABLE CODE		CAVO P-3+16-IS	
NUMBER OF CONDUCTORS		n°3+16	
CONDUCTOR SECTION		0.75mm <sup>2</sup> (X3) + 0.34mm <sup>2</sup> (X16)	
CABLE MATERIAL		PUR UL style 20549 <b>RU</b>	
COATING COLOUR		BLACK	
CONDUCTOR INSULATION MATERIAL		PP	
CABLE PROVIDED BY H.T.P.			



THE CABLE IS HIGH FLEX " -K6" (CLASS 6).

TOLLERANZE	±0.3	DISSEGNAIORE	DATA	SCALA	DISSEGNO N.
UDIM	ANGOLO	LORENZO CIMINO	26.03.15	1:1	
CONTROLLO					

DESCRIZIONE	TPD	MATERIALE
M23 CONNECTOR FEMALE 90° 19POLES WITH CABLE PUR/PP, UL style 20549, 16X0.34mm <sup>2</sup> +3X0.75mm <sup>2</sup> HIGH FLEX, HALOGEN FREE, BLACK, L=10m	M23	


**H.T.P.** HIGH TECH PRODUCTS

**23FA19P10-K6-IS**