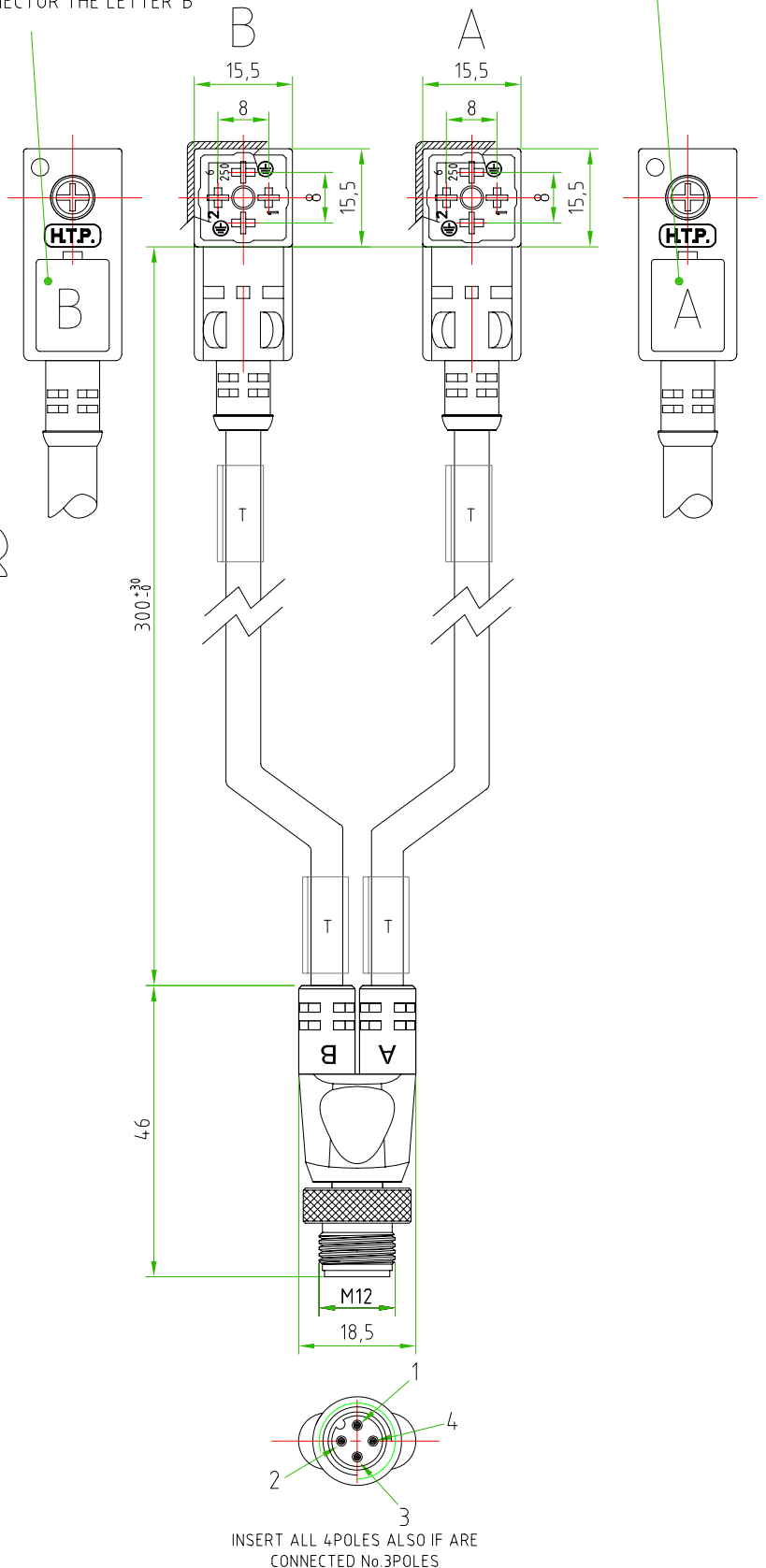
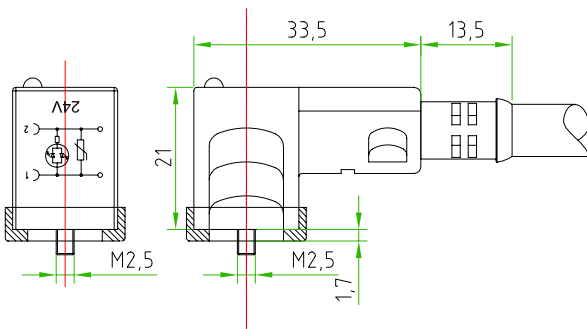
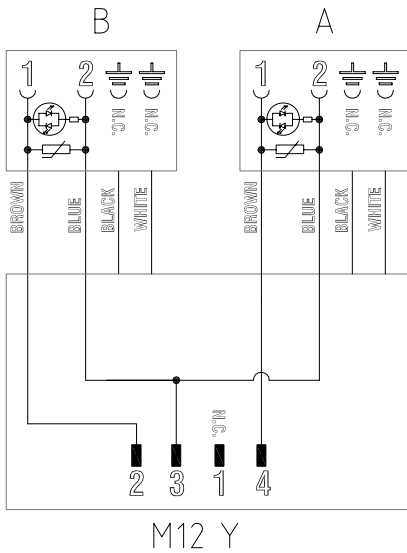


ELECTRICAL SCHEME:



PRODUCT TYPE		Y M12 WITH N°2 DIN43650/C	
M12 Y	Y M12 TYPE CONTACT	MALE	
	NUMBER OF CONTACTS	4POLES (3POLES CONNECTED)	
	PRODUCT TYPE	CP1 SERIES	
DIN43650/C CONNECTORS FEATURES	HOUSING COLOUR	BLACK	
	CONTACT TYPE	2POLES+EARTH	
	CONTACTS SPACING	8mm	
	EARTH POSITIONING H	6/12 NOT CONNECTED	
	FIXING SCREW	M2.5X21.5	
	PROFILED GASKET	NBR	
	PROTECTION CLASS	IP67	
	VOLTAGE	24V AC/DC	
	CONNECTORS WITH RED LED + VARISTOR		
	CONNECTORS WITH H.T.P. LOGO		
CABLE FEATURES	H.T.P. CABLE CODE	D (USE THE CABLE 29-K6-IS)	
	NUMBER OF CONDUCTORS	N°4	
	CONDUCTOR SECTION	0,34mm ²	
	CABLE MATERIAL	PUR HIGH FLEX	
	CABLE COLOUR	BLACK	
CONDUCTOR INSULATION MATERIAL		PP	
CABLE LENGHT		300mm	
THIS CABLE IS PROVIDED BY H.T.P.			

T=HOLDER FOR CABLE MARKING

TOLLERANZE	± 0.3	DISEGNATORE	LORENZO CIMINO	DATA	14.06.13	SCALA	TO FIT	DISEGNO N.			
U.d.M.	ANGOLO	CONTROLLATO									
DESCRIZIONE YCONNECTOR M12 MALE 4POLES 2WAY WITH N°2 DIN43650-C CONNECTORS, 8mm, 2P+E (H.6/12), WITH RED LED+VARISTOR, 24V, WITH N°2 CABLES PUR/PP, 4 X0,34mm ² , UL/CSA, BLACK, L=0.3m CONNECTOR WITH H.T.P. LOGO								TIPO	Y 2WAY	MATERIALE	
		H.T.P. HIGH TECH PRODUCTS			CODICE		A3D0C-8A-8A-K6-IS				