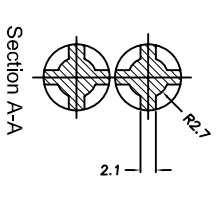
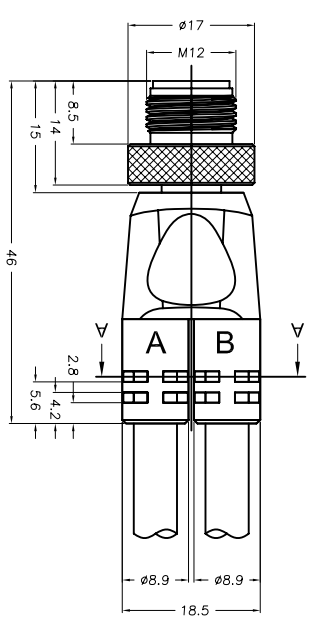
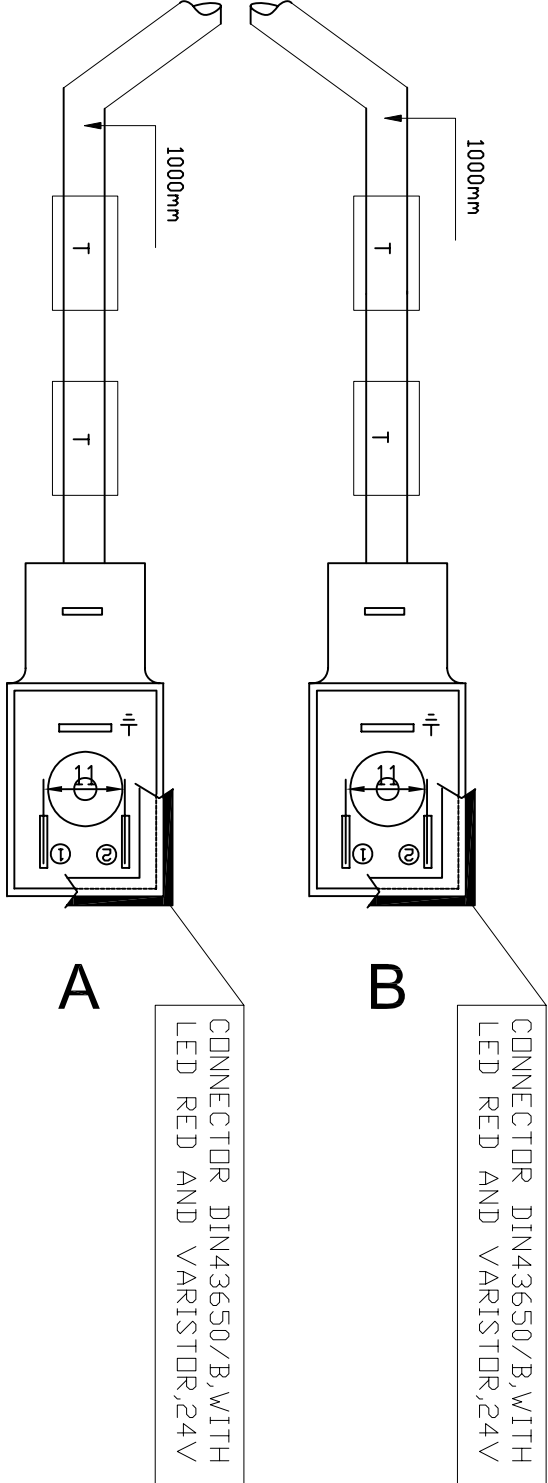
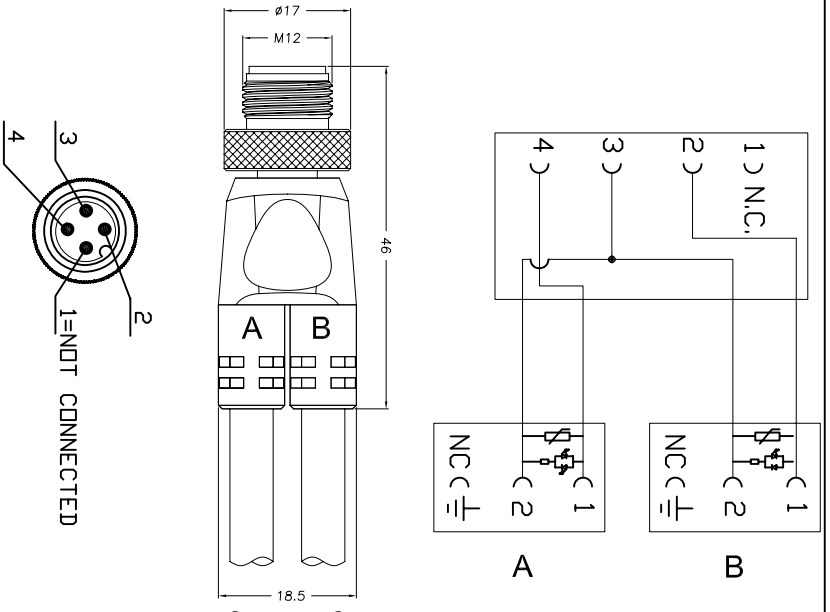


CABLE FEATURES		CONNECTOR FEATURES	
TYPE CONTACT	Y M12 MALE + n°2DIN43650/B	CABLE LENGTH	1000mm
PROTECTION CLASS	IP67	STRIPPING	NO
PEELING	NO	NUMBER OF CONTACTS	MALE n°4 POLES - DIN 2P+EARTH
H.T.P. CABLE CODE	04	NUMBER OF CONDUCTORS	n°3
CONDUCTOR SECTION	0.5mm ²	CABLE MATERIAL	PVC
COATING COLOUR	GREY	CONDUCTOR ISULATION MATERIAL	PVC



TOLLERANZE		DISSEGNAZIONE		DATA		SCALA		DISSEGNO N.	
U&M	ANGOLI	CIMIND	LORENZO	27-06-08	TD FIT				
DESCRIZIONE		CONTROLLATO		TIPO		MATERIALE			
Y SPLITTER CONNECTOR				M12					
High Tech Products		H.T.P.		CODICE		A441Z-4A-4A			
HTP		HIGH TECH PRODUCTS							