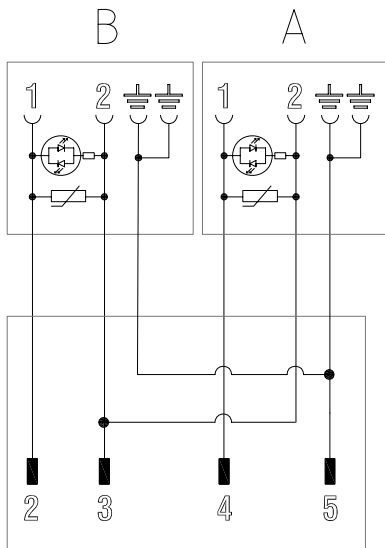
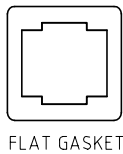
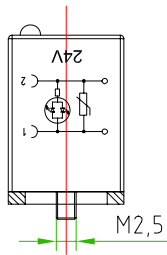


Electrical scheme:



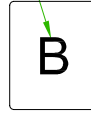
M12 Y



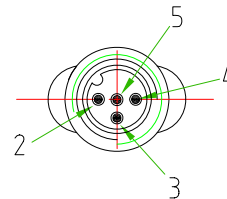
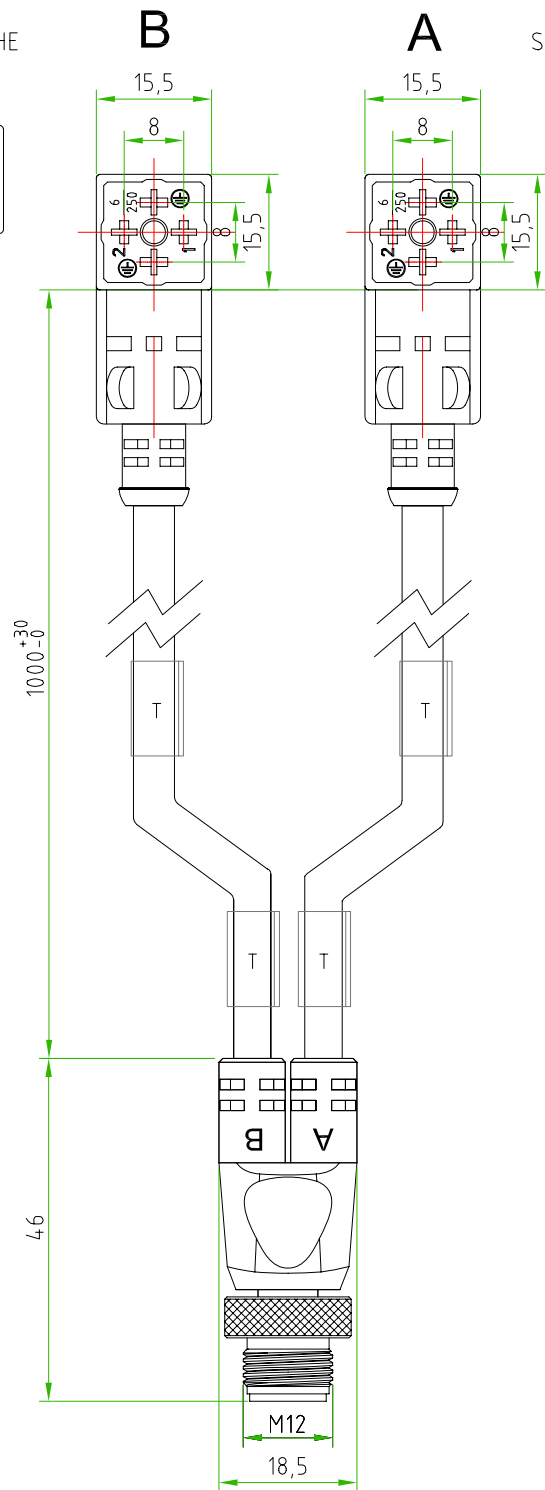
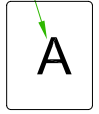
FLAT GASKET

DIN43650-C CONNECTOR FEATURES	CONNECTOR TYPE	Y M12 180°
	CONTACT TYPE	MALE 4POLES
	NUMBER OF POLES CONNECTED	4POLES(NOT STANDARD)
	PRODUCT TYPE	CP1 SERIES
	HOUSING COLOUR	BLACK
	CONTACT TYPE	2POLES+EARTH
	CONTACT SPACING	8mm
	CABLE LENGHT	1000mm
	PROTECTION CLASS	IP67
	FIXING SCREW	M2.5X21.5
CABLES FEATURES	FLAT GASKET	NBR
	EARTH POSITIONING H	6/12
	VOLTAGE	24V AC/DC
	CONNECTOR WITH RED LED + VARISTOR	
	H.T.P. CABLE CODE	04
NUMBER OF CONDUCTORS	N°3	
CONDUCTOR SECTION	0.5mm ²	
CABLE MATERIAL	PVC CEI2022IIOR	
CABLE COLOUR	GREY RAL7032	
CONDUCTOR INSULATION MATERIAL	PVC	
ON EACH CABLE PLEASE INSERT N°2 HOLDERS FOR CABLE MARKING		

SILK PRINT THE LETTER "B"



SILK PRINT THE LETTER "A"



TOLLERANZE	± 0.3	DISEGNATORE LORENZO CIMINO	DATA	SCALA		DISEGNO N.
U.d.M.	ANGOLO	CONTROLLATO	02.05.13	1:1		
DESCRIZIONE YCONNECTOR M12 MALE 4POLES 2WAY WITH N°2 DIN43650-C CONNECTORS CONTACTS SPACING 8mm, WITH RED LED+VARISTOR, 24V. N°2 CABLES PVC/PVC, CEI2022, 3X0.5mm ² , GREY, L=1m					TIPO	MATERIALE
					Y 2WAY	
					CODICE	A441Z-8A-8A