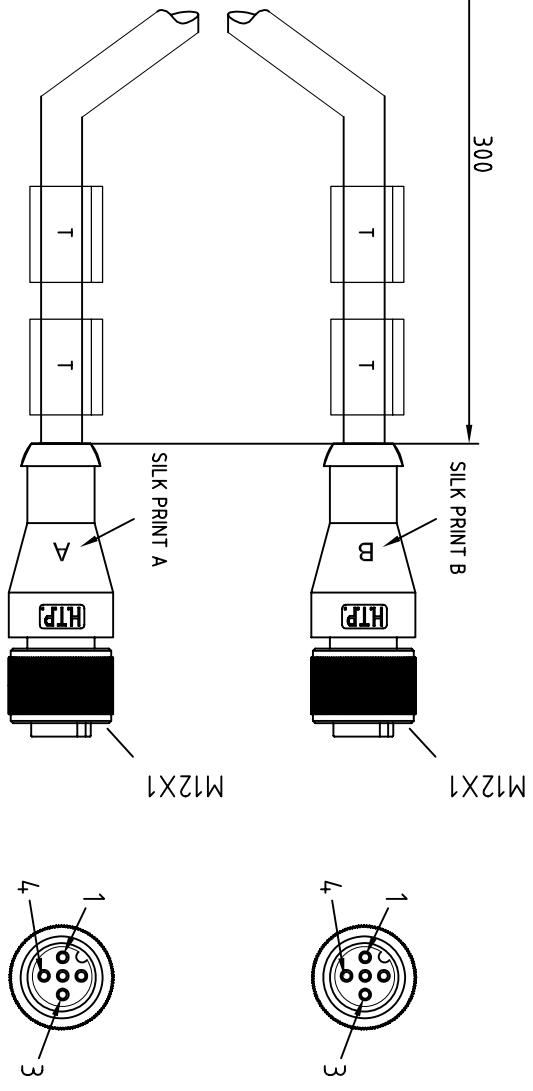
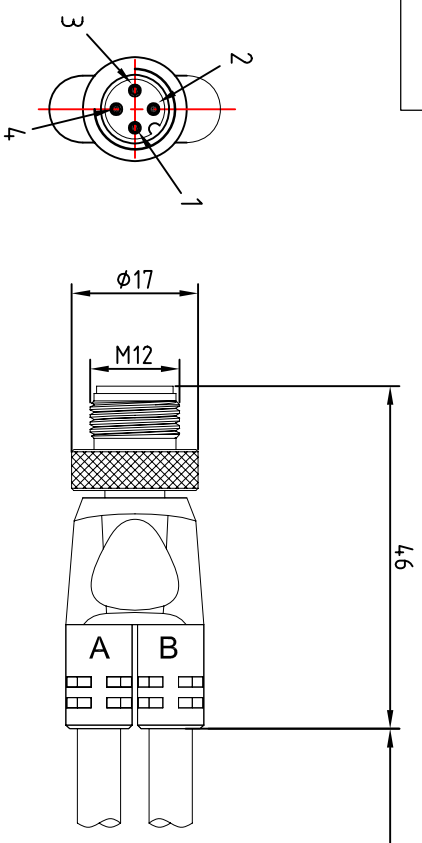
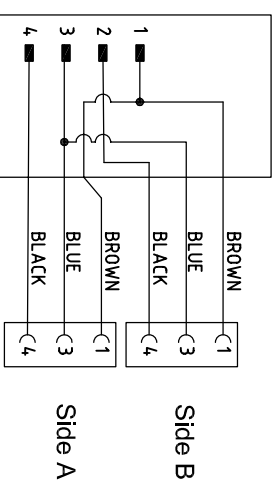


# ELECTRICAL SCHEME



T= THE HOLDER FOR CABLE MARKING

CONNECTOR FEATURES	
Y M12 TYPE CONTACT	MALE 4POLES
N° 2 M12 CONNECTORS	FEMALE 3POLES
N°3 CABLE LENGHT	300mm
PROTECTION CLASS	IP69K
CONNECTORS WITHOUT H.T.P.LOGO	
H.T.P.CABLE CODE	B
NUMBER OF CONDUCTORS	n°3
CONDUCTOR SECTION	0.34mm <sup>2</sup>
CABLE MATERIAL	PVC CEI2022
COATING COLOUR	BLACK
CONDUCTOR INSULATION MATERIAL	PVC

TOLERANCE	DISEGNATORE	DATA	SCALE	DISEGNO N.
U4H	LORENZO CHINNO CONTROLLATO	02.10.09	1:1	

DESCRIZIONE	TR0	MATERIALE
YCONNECTOR M12 MALE 4POLES 3X4Y WITH N°2 M12 FEMALE 3POLES,CABLE PVC/PVC BLACK,30034mm,CEI2022,=0.3M CONNECTORS WITH H.T.P.LOGO	Y 2W/AY	

<b>HTP</b> HIGH TECH PRODUCTS	<b>H.T.P.</b>	<b>A4B0CC3C3</b>
-------------------------------	---------------	------------------