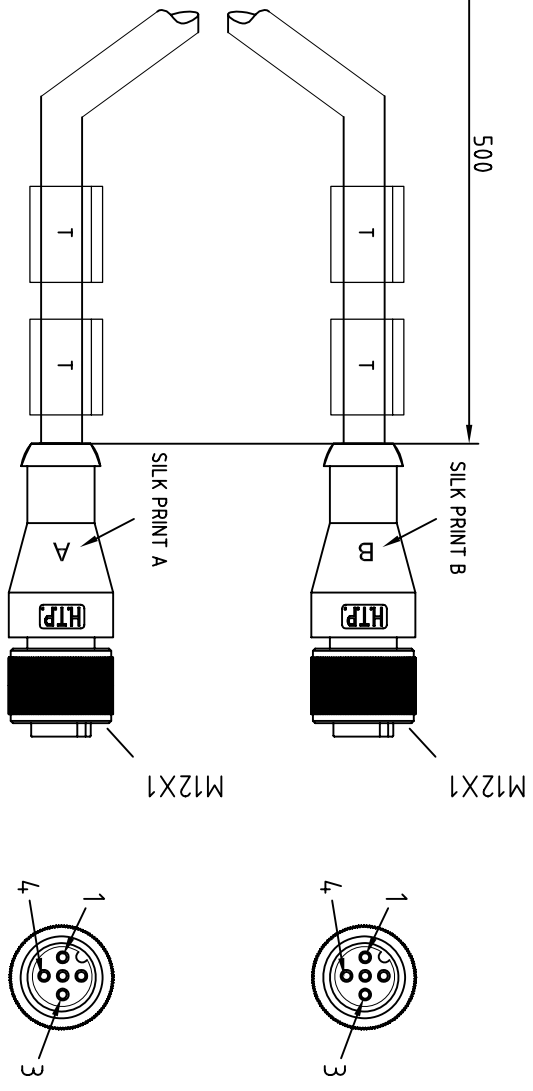
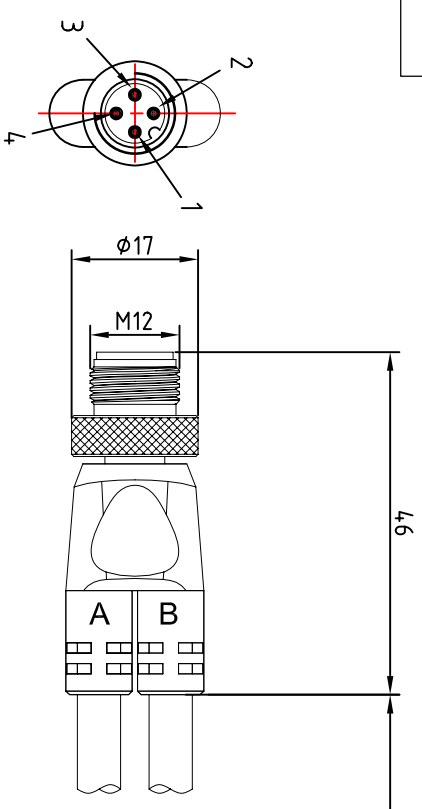
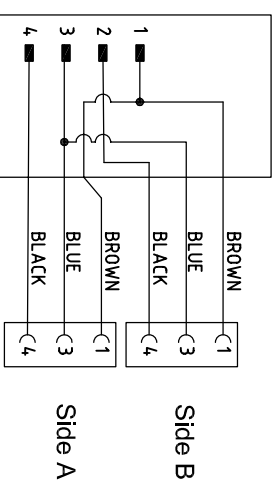


ELECTRICAL SCHEME



T= THE HOLDER FOR CABLE MARKING

CONNECTOR FEATURES	
Y M12 TYPE CONTACT	MALE 4POLES
N° 2 M12 CONNECTORS	FEMALE 3POLES
N°3 CABLE LENGHT	500mm
PROTECTION CLASS	IP69K
CONNECTORS WITHOUT H.T.P.LOGO	
H.T.P.CABLE CODE	B
NUMBER OF CONDUCTORS	n°3
CONDUCTOR SECTION	0.34mm ²
CABLE MATERIAL	PVC CEI2022
COATING COLOUR	BLACK
CONDUCTOR INSULATION MATERIAL	PVC

TOLERANCE	DISEGNATORE	DATA	SCALE	DISEGNO K.
U4H	LORENZO CHINNO CONTROLLATO	02.10.09	1:1	
DESCRIZIONE		TR0	MATERIALE	
YCONNECTOR M12 MALE 4POLES 3WAY WITH N°2 M12 FEMALE 3POLES,CABLE PVC/PVC BLACK,3X0.34mm ² ,CEI2022,L=505mm CONNECTORS WITH H.T.P.LOGO		Y 2WAY		
HTP HIGH TECH PRODUCTS		A4B0EC3C3		