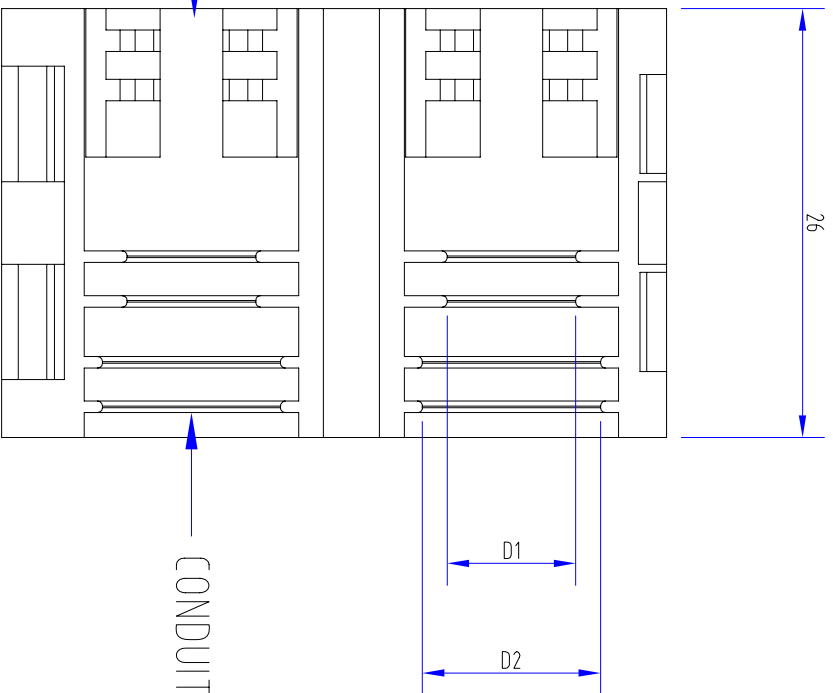
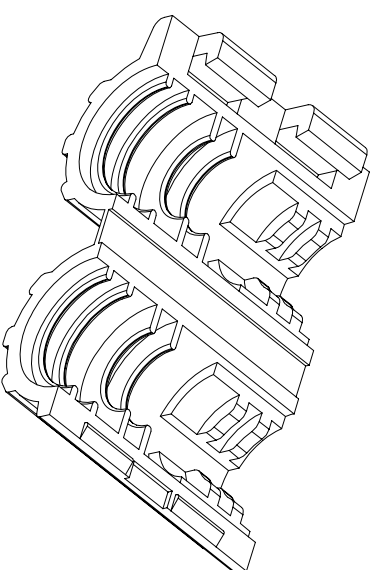
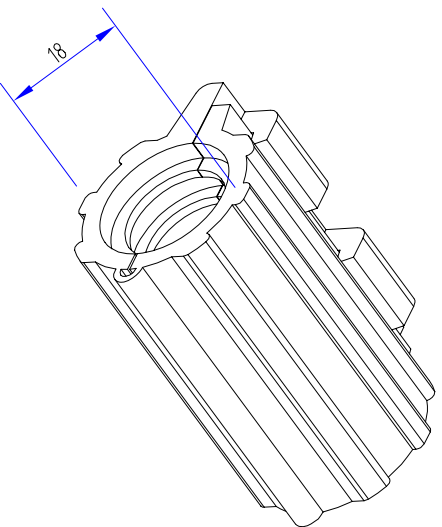


CONNECTORS  
DIN OR M12



CONDUIT



FEATURE CONDUIT CLIP

MATERIAL	NYLON PA66	
COLOUR	BLACK	
COMPATIBLE WITH M12 MOULDED CABLE VERSION	YES	
COMPATIBLE WITH M12 TO FIELD ATTACHED	YES	
COMPATIBLE WITH CONNECTOR DIN SERIES G1 - G2 - G3 - G4 OVER MOULDED	YES	
COMPATIBLE WITH CONNECTOR DIN SERIES M1 - M2 OVER MOULDED	YES	
COMPATIBLE WITH CONNECTOR DIN SERIES P1 - P2 OVER MOULDED	YES	
COMPATIBLE WITH CONNECTOR DIN SERIES G1 - G2 - G3 - G4 TO CABLE	YES	
COMPATIBLE WITH CONNECTOR DIN SERIES M1 - M2 TO CABLE	YES	
COMPATIBLE WITH CONNECTOR DIN SERIES P1 - P2 TO CABLE	YES	
	Ø INT	Ø EXT
DIAMETER CONDUITS D1	6.2	10
DIAMETER CONDUITS D2	9.6	13
RANGE TEMPERATURE	-40°C / +80°C	

TOLERANCE	DESIGNAZIONE	DATA	SCALA	DISGONO N.
UDR	ANGOLO	25-10-08		
DESCRIZIONE		TIPO	MATERIALE	
CONDUIT CLIP, NYLON PA66 FOR CONDUIT - DIN OR M12		ACCESSORY		
HTP High Tech Products		H.T.P.	CODE	
HIGH TECH PRODUCTS		ACC1		