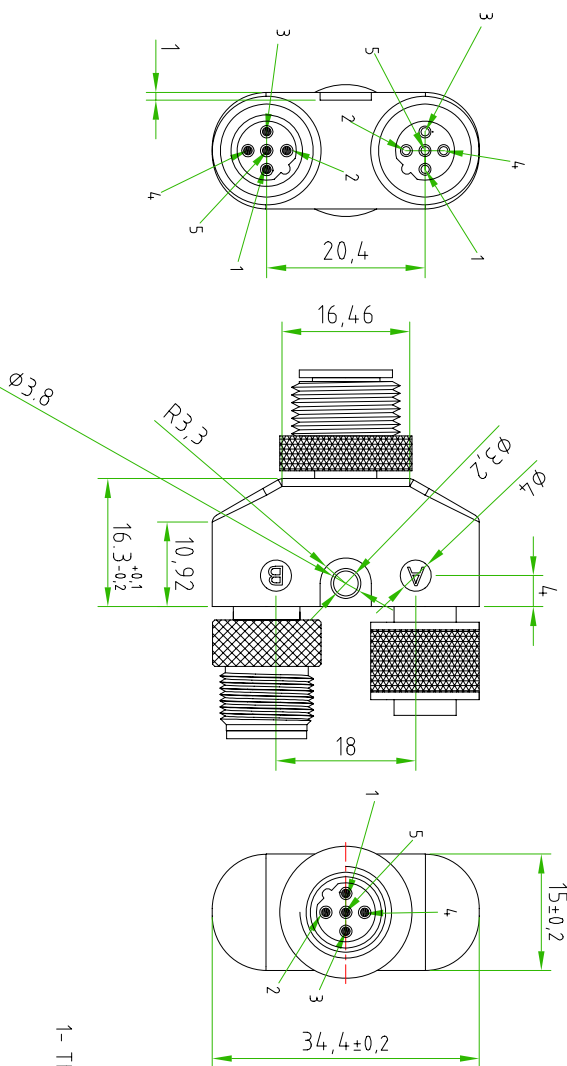
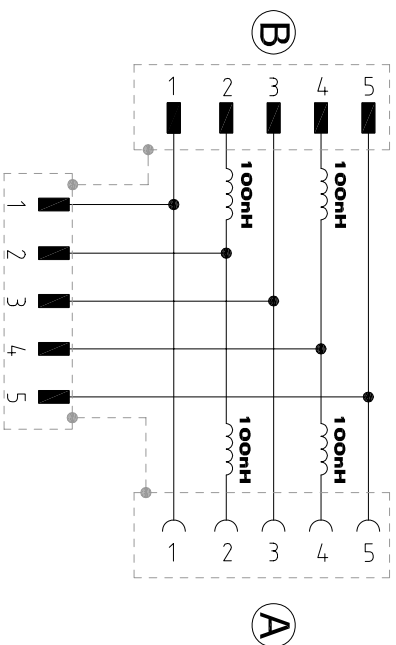


ELECTRICAL SCHEME:



1- The position of the electrical scheme

PAY ATTENTION



T CONNECTOR FEATURES	
PRODUCT TYPE	M12 T CONNECTOR B-CODED PROFIBUS
CONTACTS TYPE	N°2 MALE / N°1 FEMALE
NUMBER OF CONTACTS CONNECTED	N°5
HOUSING COLOUR	BLACK
HOUSING MATERIAL	PP
COUPLING NUT MATERIAL	Brass+nickel plated (CuZnNi)
PROTECTION CLASS	IP67
CIRCUIT TYPE	SPECIAL WITH N°4 INDUCTANCES
INDUCTANCES TYPE	100nH



SHIELD CONNECTED TO THE NUT (TOTALLY SHIELDED)
PLEASE USE THE NEW FORM T.(NEW PROJECT)

TOLLERANZE	DISIGNATORE	DATA	SCALA	PE30
±0.2	MARCO MAZZOLINI	22-02-13	1 : 1	
UDM	ANGOLIO	LORENZO CIMMINO		
DESCRIZIONE		TIPO	MATERIALE	
M12 T CONNECTOR, BLACK PARALLEL CIRCUIT		M12 T		
Nr.2MALE 5P + Nr.1 FEMALE 5P				
		H.T.P. HIGH TECH PRODUCTS		CODICE B-12TJ37000-B-JB