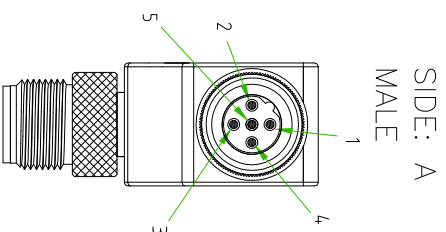
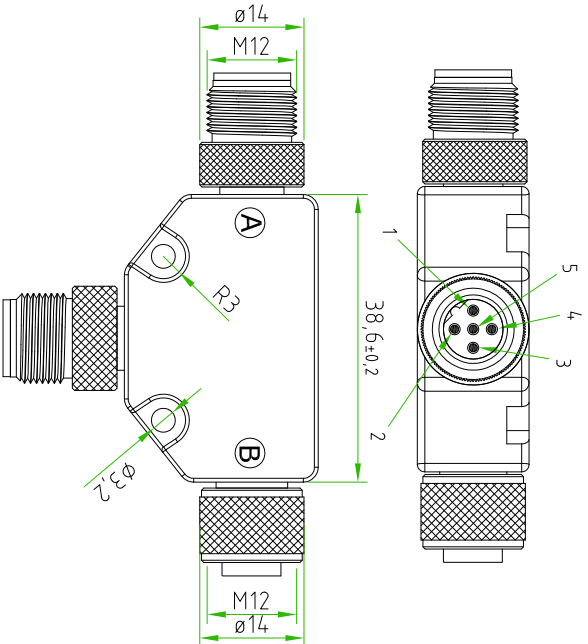
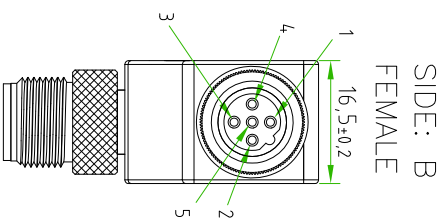
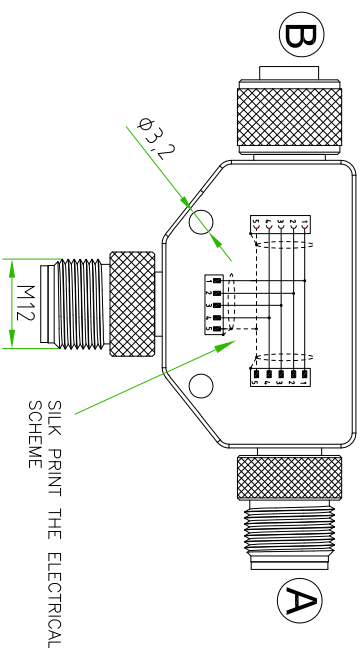
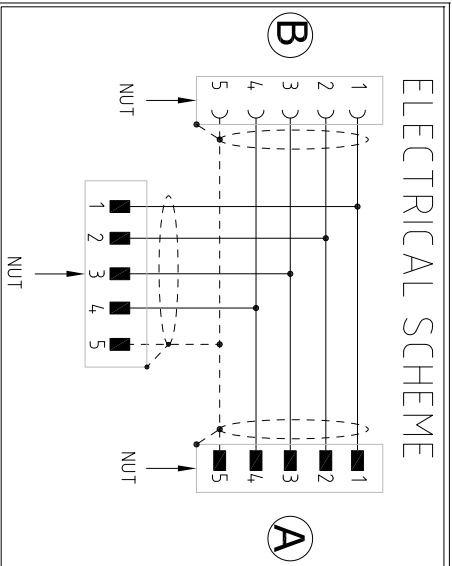
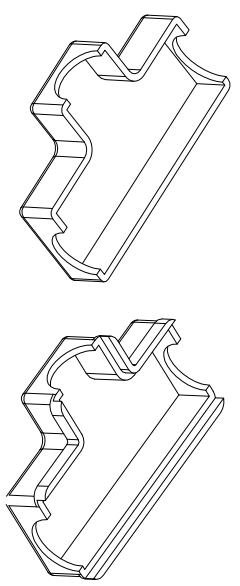


ELECTRICAL SCHEME



PROFIBUS T CONNECTOR FEATURES	
PRODUCT TYPE	M12 TYPE T-SPLITTER CONNECTOR B-CODED
TYPE OF CONTACT	n°2 MALE/n°1 FEMALE
NUMBER OF CONTACTS CONNECTED	N°5
HOUSING COLOUR	BLACK
HOUSING MATERIAL	NYLON 6+30% GLASS FIBRE
COUPLING NUT MATERIAL	Zn Al/NI
PROTECTION CLASS	IP69K
CIRCUIT TYPE	PARALLEL
<p>SHIELD CONNECTED TO THE NUT AND WITH THE METAL CASE (TOTALLY SHIELDED). THE SHIELD MUST BE CONNECTED TO PIN N5</p> <p>PAY ATTENTION</p>	



TOLLERANZE		DISIGNAZIONE		DATA		SCALE		DESIGNO N.	
UDH	ANGOLO	LORENZO CHINNO	CONTROLLO	22.09.09	1:1				
DESCRIZIONE									
M12 TYPE T-SPLITTER CONNECTOR, TOTALLY SHIELDED, SPOLES BLACK HOUSING, PARALLEL CIRCUIT, WITH N°2 MALE AND N°1 FEMALE B-CODED, SHIELD CONNECTED TO THE NUT AND N°5 METAL CASE CONNECTED TO THE PIN N5.									
H.T.P. HIGH TECH PRODUCTS								MATERIALE	
B-12TTJ35000-5SH									