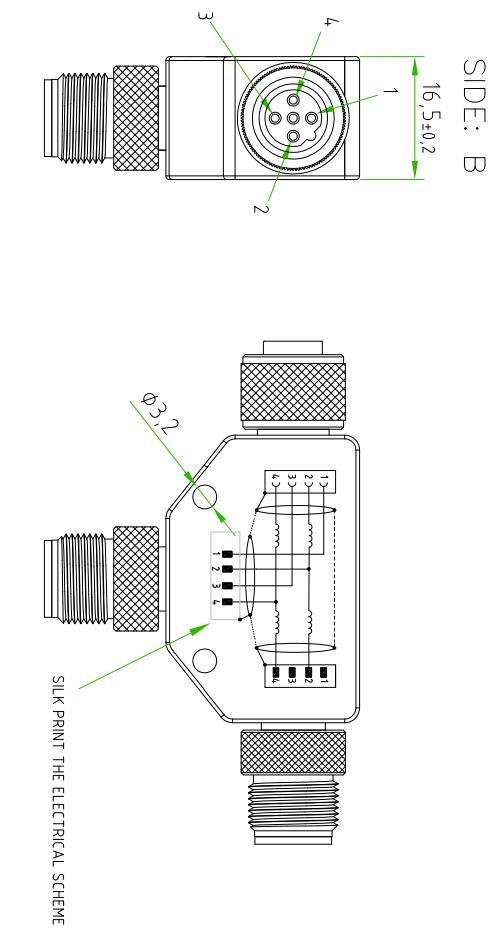


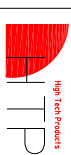
METAL CASE

T CONNECTOR FEATURES	
PRODUCT TYPE	M12 T CONNECTOR B-CODED PROFIBUS
CONTACTS TYPE	N°2 MALE / N°1 FEMALE
NUMBER OF CONTACTS CONNECTED	N°4
HOUSING COLOUR	BLACK
HOUSING MATERIAL	PP
COUPLING NUT MATERIAL	Brass+nickel plated (CuZnNi)
PROTECTION CLASS	IP67
CIRCUIT TYPE	SPECIAL WITH N°4 INDUCTANCES
INDUCTANCES TYPE	100nH

SHIELD CONNECTED TO THE NUT AND WITH THE METAL CASE (TOTALLY SHIELDED)
 PAY ATTENTION



TOLLERANZE	±0,3	DISSEGNAZIONE	DATA	SCALA	DESIGNO N.
UDM	ANGOLO	LORENZO CIMMINO CONTROLATO MARCO MAZZOLINI	14.01.13	1:1	
DESCRIZIONE					
M12 T connector PROFIBUS, totally shielded with metal case, 4Poles					
Black housing, SPECIAL circuit No.2 Male B-CODED - No.1 Female B-CODED.					
M12 T WITH N°4 INDUCTANCES 100nH					
MATERIALE					TP0
M12					
CODICE					
B-12TTJ36000-360					



H.T.P.
HIGH TECH PRODUCTS