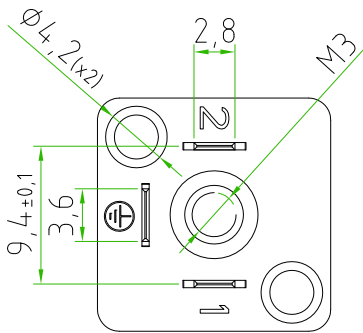
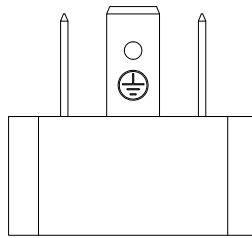
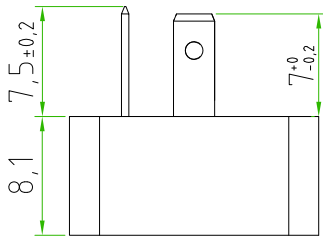
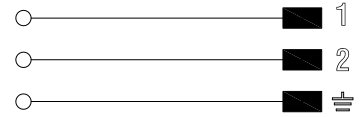
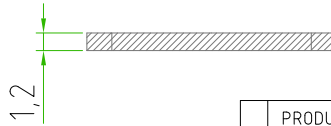
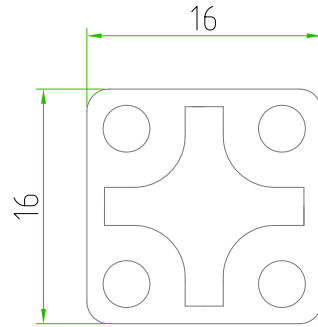
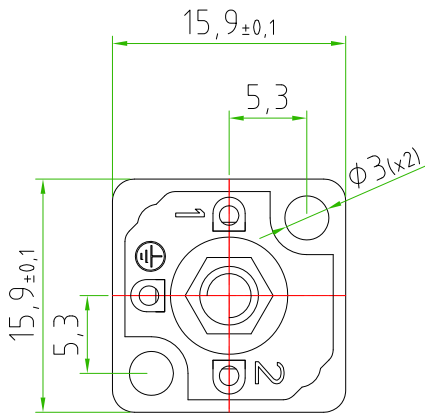


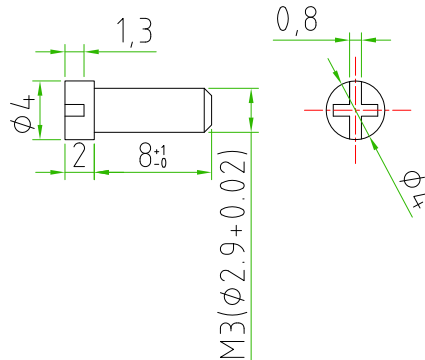
Rev.	Modify	Date	Signed	Approved

Rev.	Modify	Date	Signed	Approved

Rev.	Modify	Date	Signed	Approved



BASE FEATURES	PRODUCT TYPE	MICRO SQUARE BASE INDUSTRIAL STANDARD (type-C)
	COLOUR BASE	BLACK
	MATERIAL BASE	PA66
	CONTACTS TYPE	MALE TO SOLDERED
	CONTACTS MATERIAL	BRASS + SILVER PLATED
	CONTACTS SPACING	9,4mm
	NUMBER OF CONTACTS	2POLES+EARTH
	FIXING HOLES	N°2
	DIAMETER OF FIXING HOLES	ø3mm
	M3 CENTRAL NUT TYPE	OPEN
	GASKET TYPE	FLAT(NBR)
	M3 FIXING SCREW (x2)	L=8mm
	PROTECTION CLASS	IP67
	TEMPERATURE RANGE	FROM -40°C TO +90°C
RATED VOLTAGE	250V AC / 300V DC	
NOMINAL CURRENT	6A	
BASE WITHOUT H.T.P.LOGO		



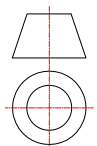
CUSTOMER APPROVAL

SIGNATURE	DATE

PLEASE SIGN AND RETURN

A4

Designer	SUGLIANI R.	Date	2019-04-04	Tolerance	±0.2	Units:	mm	Series	EN175301-803	Drawing n.
Approved	CIMMINO L.	Date	2019-04-04	Scale	2:1	Size:	A4	Customer code:		



DESCRIPTION

MICRO SQUARE BASE INDUSTRIAL STANDARD (type-C), 2P.+P.E., BLACK, CENTRAL NUT OPEN, WITH N°2 FIXING HOLES, COMPLETE WITH FLAT GASKET AND SCREWS BASE WITHOUT H.T.P.LOGO.

H.T.P.PART NUMBER

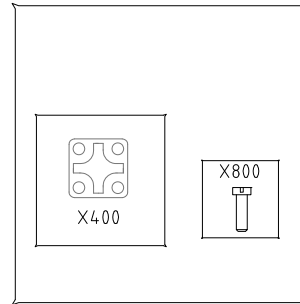
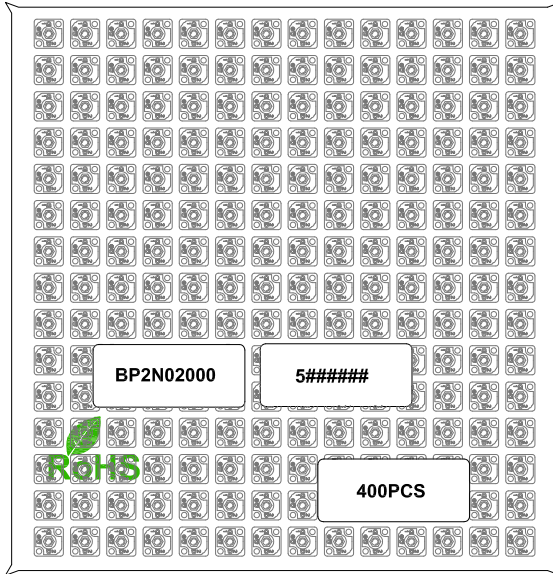
BP2N02000



PACKAGING

EACH PLASTIC BLISTER CONTAINS 400PCS.
INSERT N°5 BLISTERS(400PCS) IN A BIG CARTON BOX 38.5X38.5X28.

ATTACHED ON EACH BLISTER MUST BE APPLIED PLASTIC BAGS
EACH PLASTIC BAG CONTAINS:
- PLASTIC BAG WITH 800 SCREWS M3 L=8mm
- PLASTIC BAG WITH 400 FLAT GASKET

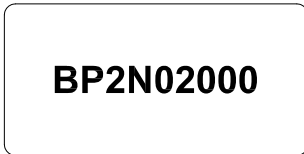


Rev.				
Modify				
Date				
Signed				
Approved				

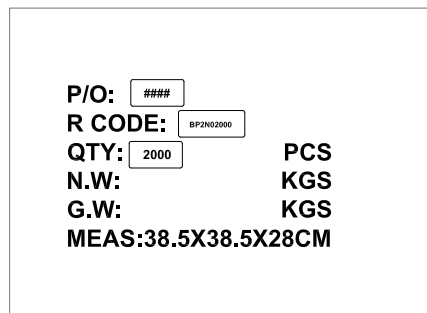
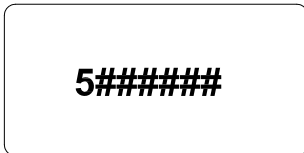
Rev.				
Modify				
Date				
Signed				
Approved				

Rev.				
Modify				
Date				
Signed				
Approved				

PLEASE APPLY ON EACH PLASTIC VACUUM BLISTER AND ON EXTERNAL CARTON BOX
THE WHITE LABEL WITH H.T.P. PART NUMBER BP2N02000



ADD ON EACH PLASTIC VACUUM BLISTER WHITE LABEL WITH H.T.P. PRODUCTION
DATE CODE 5#####

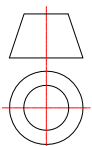


CUSTOMER APPROVAL	
SIGNATURE	DATE
PLEASE SIGN AND RETURN	

TAPE WITH H.T.P. LOGO

A4

Designer	CIMMINO L.	Date	2019-04-04	Tolerance	±0.1	Units:	mm	Series	EN175301-803	Drawing n. 2-2
Approved	MAZZOLA M.	Date	2019-04-04	Scale	TO FIT	Size:	A4	Customer code:		



DESCRIPTION

MICRO SQUARE BASE INDUSTRIAL STANDARD (type-C), 2P.+P.E., BLACK, CENTRAL NUT OPEN, WITH N°2 FIXING HOLES, COMPLETE WITH FLAT GASKET AND SCREWS BASE WITHOUT H.T.P. LOGO.

H.T.P. PART NUMBER

BP2N02000