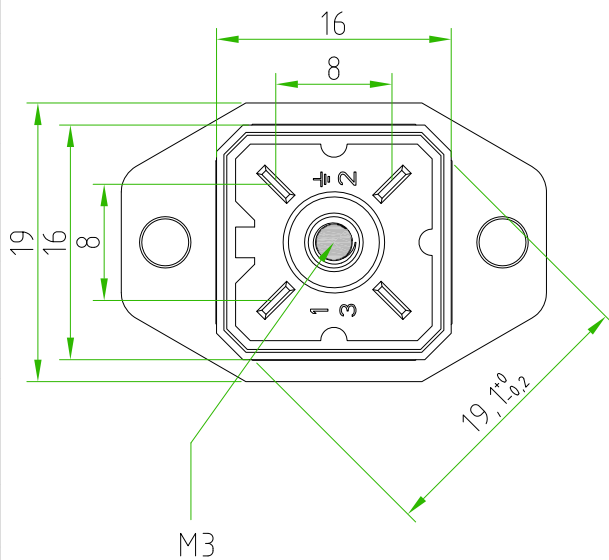
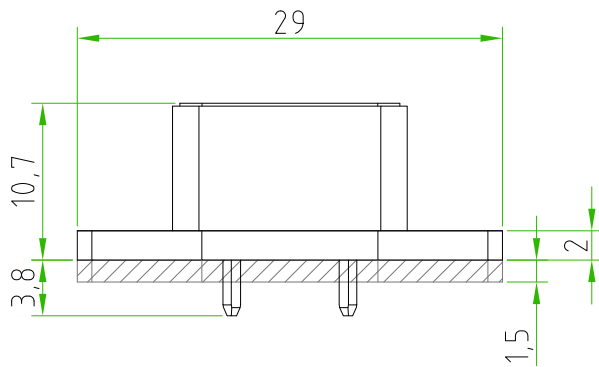
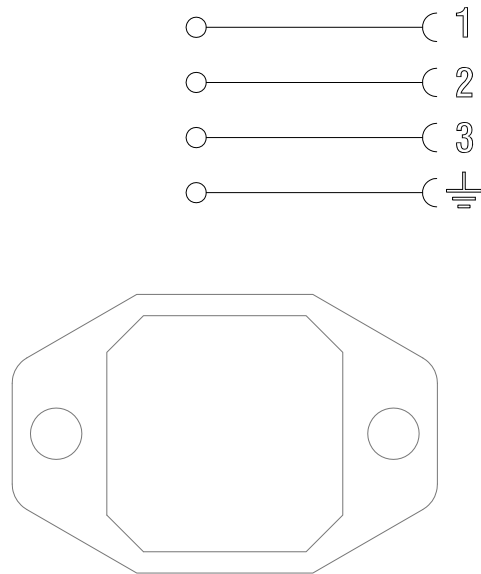
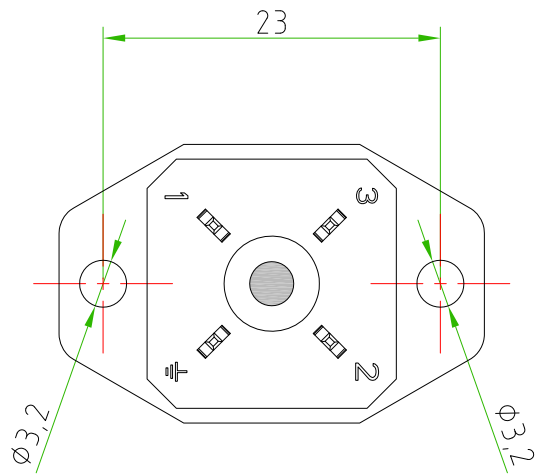


Rev.	Modify	Date	Signed	Approved

Rev.	Modify	Date	Signed	Approved

Rev.	Modify	Date	Signed	Approved



BASE FEATURES	PRODUCT TYPE	SQUARE BASE INDUSTRIAL STANDARD WITH FLANGE
	COLOUR BASE	BLACK
	MATERIAL BASE	PA66
	CONTACTS TYPE	MALE TO SOLDER
	CONTACTS MATERIAL	BRASS + SILVER PLATED
	CONTACTS SPACING	8mm
	NUMBER OF CONTACTS	3POLES + EARTH
	FIXING HOLES	N°2
	DIAMETER OF FIXING HOLES	ø3,2mm
	M3 CENTRAL NUT TYPE	CLOSED
	GASKET TYPE	FLAT (NBR)
	PROTECTION CLASS	IP65
	TEMPERATURE RANGE	FROM -40°C TO +90°C
	RATED VOLTAGE	250V AC/DC
	NOMINAL CURRENT	10A
BASE WITHOUT H.T.P.LOGO		

CUSTOMER APPROVAL	
SIGNATURE	DATE
PLEASE SIGN AND RETURN	

Designer	SUGLIANI R.	Date	2020-01-13	Tolerance	±0.1	Units:	mm	Series	INDUSTRIAL STANDARD	Drawing n.
Approved	CIMMINO L.	Date	2020-01-13	Scale	2:1	Size:	A4	Customer code:		

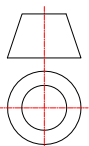


DESCRIPTION
 SQUARE BASE INDUSTRIAL STANDARD, 3 POLES + PE, BLACK,
 CENTRAL NUT CLOSED, WITH N°2 FIXING HOLES,
 BASE WITHOUT ANY LOGO.

H.T.P.PART NUMBER

BP4N04000-F

A4

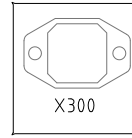
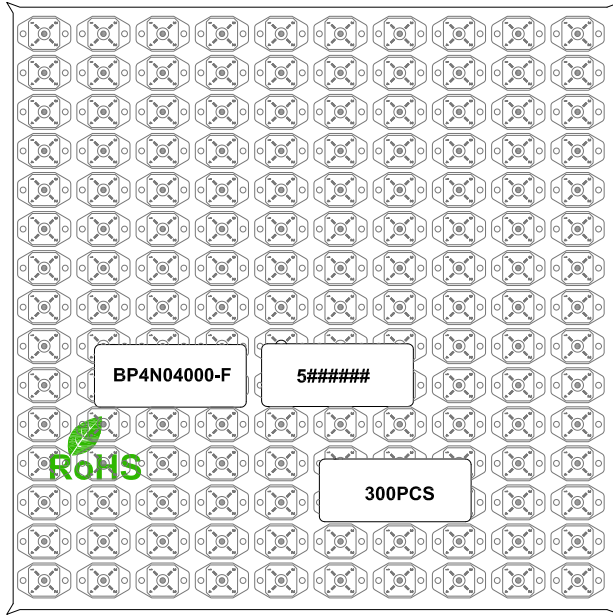




PACKAGING

EACH PLASTIC BLISTER CONTAINS 300PCS.
INSERT N°5 BLISTERS(300PCS) IN A BIG CARTON BOX 38.5X38.5X28.

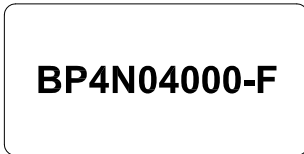
ATTACHED ON EACH BLISTER MUST BE APPLIED PLASTIC BAGS
EACH PLASTIC BAG CONTAINS:
- PLASTIC BAG WITH 300 FLAT GASKET



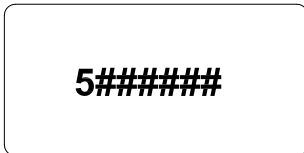
Rev.				
Modify				
Date				
Signed				
Approved				

Rev.				
Modify				
Date				
Signed				
Approved				

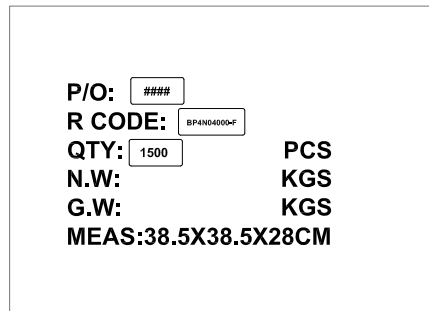
PLEASE APPLY ON EACH PLASTIC VACUUM BLISTER AND ON EXTERNAL CARTON BOX
THE WHITE LABEL WITH H.T.P. PART NUMBER BP4N04000-F



ADD ON EACH PLASTIC VACUUM BLISTER WHITE LABEL WITH H.T.P. PRODUCTION
DATE CODE 5#####



Rev.				
Modify				
Date				
Signed				
Approved				

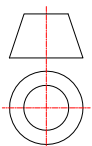


TAPE WITH H.T.P. LOGO

CUSTOMER APPROVAL	
SIGNATURE	DATE
PLEASE SIGN AND RETURN	

A4

Designer	SUGLIANI R.	Date	2020-01-13	Tolerance	±0.1	Units:	mm	Series	INDUSTRIAL STANDARD	Drawing n. 2-2
Approved	CIMMINO L.	Date	2020-01-13	Scale	2:1	Size:	A4	Customer code:		



DESCRIPTION
SQUARE BASE INDUSTRIAL STANDARD, 3 POLES + PE, BLACK,
CENTRAL NUT CLOSED, WITH N°2 FIXING HOLES,
BASE WITHOUT ANY LOGO.

H.T.P. PART NUMBER

BP4N04000-F