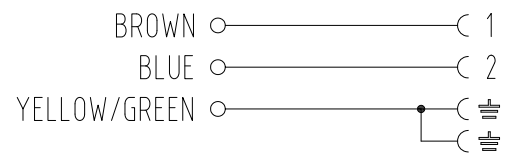
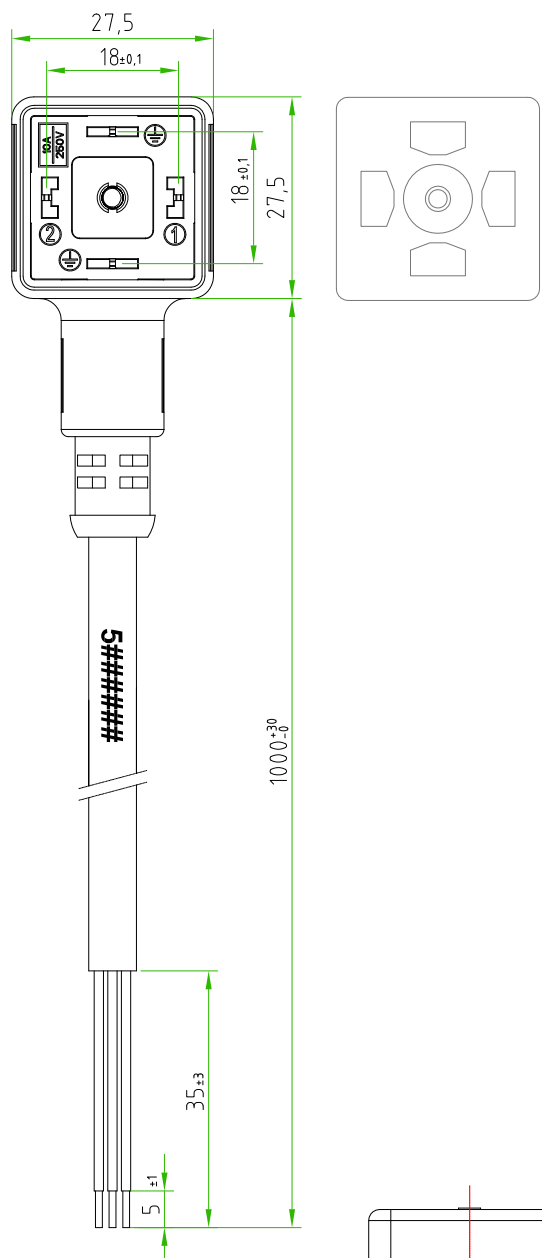


Rev.	Modify	Date	Signed	Approved
Rev.	Modify	Date	Signed	Approved
Rev.	Modify	Date	Signed	Approved
Rev.	Modify	Date	Signed	Approved
Rev.	Modify	Date	Signed	Approved
Rev.	Modify	Date	Signed	Approved

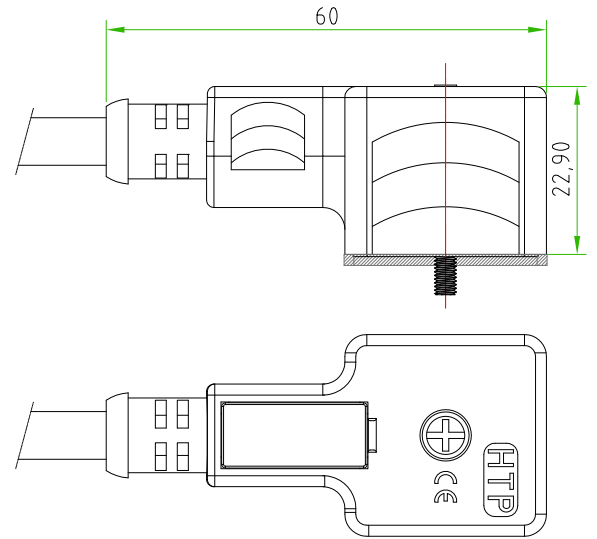
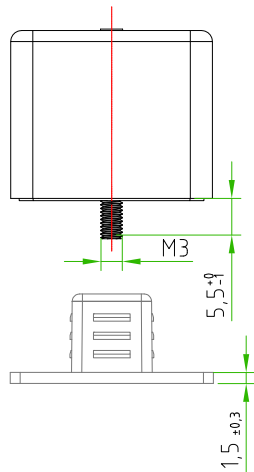


CONNECTOR FEATURES	PRODUCT TYPE	SQUARE CONNECTOR EN175301-803(type-A)
	CONNECTOR COLOUR	BLACK
	CONTACTS SPACING	18mm
	NUMBER OF CONTACTS	2POLES+2EARTHS
	EARTH POSITIONING	H.6-12
	CENTRAL FIXING SCREW	M3X0,5 L=25mm
	GASKET TYPE	INTEGRATED (NBR)
	PROTECTION CLASS	IP67
	CIRCUIT TYPE	WITHOUT ELECTRONIC
	RATED VOLTAGE	250V AC / 300V DC
CONNECTOR WITH H.T.P.LOGO		
CABLE FEATURES	H.T.P.CABLE CODE	CAVO 01
	NUMBER OF CONDUCTORS	N°3
	CONDUCTORS SECTION	0,5mm ²
	CABLE MATERIAL	PVC IEC332-1 H03VVF
	COATING COLOUR	BLACK
	CONDUCTORS INSULATION MATERIAL	PVC
	CABLE LENGHT	1000mm
STRIPPING	35mm STANDARD	
PEELING AND TINNING	5mm STANDARD	
ON THE CABLE, NEAR THE CONNECTOR HEAD, MUST BE SILK PRINTED THE H.T.P. PRODUCTION DATE CODE 5#####		

CUSTOMER APPROVAL

SIGNATURE	DATE

PLEASE SIGN AND RETURN



A4

Designer	SUGLIANI R.	Date	2016-03-22	Tolerance	±0.3	Units:	mm	Series	EN175301-803	Drawing n.	1-1
Approved	CIMMINO L.	Date	2016-03-22	Scale	1:1	Size:	A4	Customer code:			



DESCRIPTION
 SQUARE CONNECTOR EN175301-803(type-A), 2P. +P.E. BLACK, WITHOUT ELECTRONIC, 250V AC / 300V DC, WITH CABLE PVC/PVC, IEC332-1 H03VVF, 3G0.5mm², BLACK COLOUR, L=1m CONNECTOR WITH H.T.P.LOGO

H.T.P.PART NUMBER
 CG1N02000C011