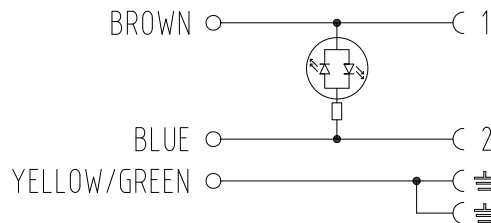
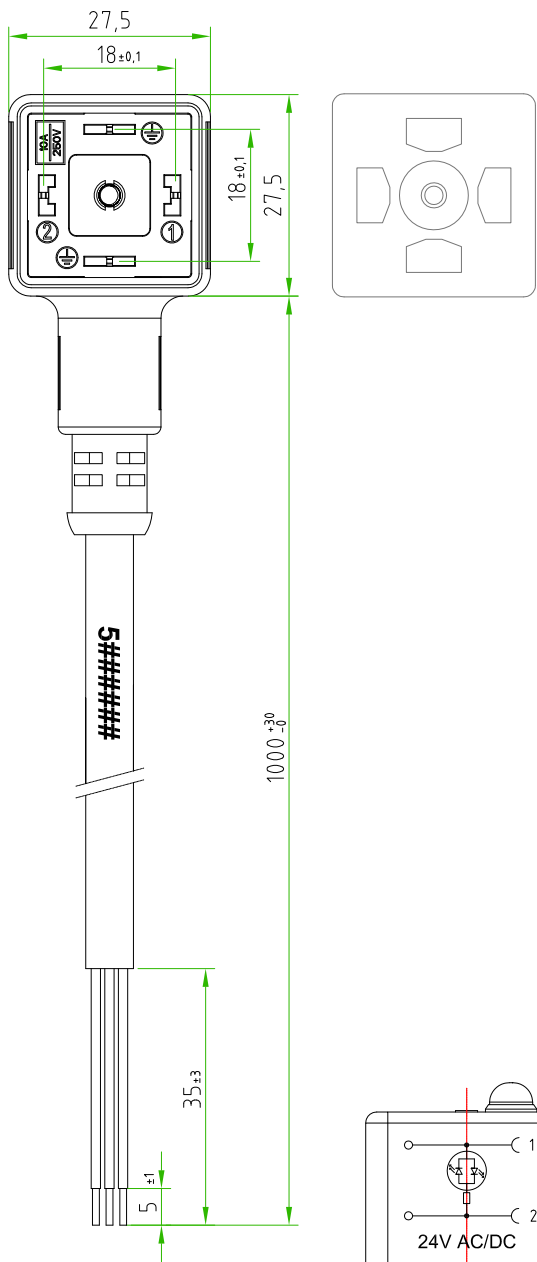


Rev.	Modify	Date	Signed	Approved
Rev.	Modify	Date	Signed	Approved
Rev.	Modify	Date	Signed	Approved
Rev.	Modify	Date	Signed	Approved

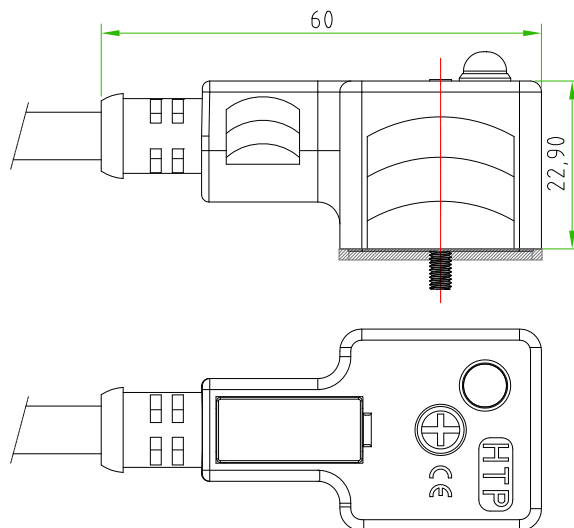
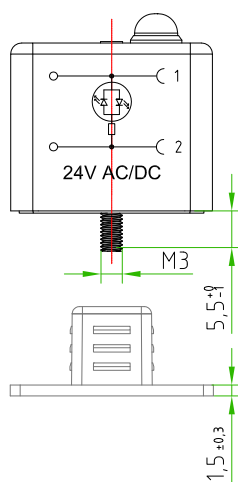


CONNECTOR FEATURES	
PRODUCT TYPE	SQUARE CONNECTOR EN175301-803(type-A)
CONNECTOR COLOUR	BLACK
CONTACTS SPACING	18mm
NUMBER OF CONTACTS	2POLES+2EARTHS
EARTH POSITIONING	H.6-12
CENTRAL FIXING SCREW	M3X0,5 L=25mm
GASKET TYPE	INTEGRATED (NBR)
PROTECTION CLASS	IP67
CIRCUIT TYPE	BIPOLAR RED LED
RATED VOLTAGE	24 V AC/DC
CONNECTOR WITH H.T.P.LOGO	
CABLE FEATURES	
H.T.P.CABLE CODE	CAVO 02
NUMBER OF CONDUCTORS	N°3
CONDUCTORS SECTION	0,75mm ²
CABLE MATERIAL	PVC IEC332-1 H05VVF
COATING COLOUR	BLACK
CONDUCTORS INSULATION MATERIAL	PVC
CABLE LENGHT	1000mm
STRIPPING	35mm STANDARD
PEELING AND TINNING	5mm STANDARD
ON THE CABLE, NEAR THE CONNECTOR HEAD, MUST BE SILK PRINTED THE H.T.P. PRODUCTION DATE CODE 5#####S	

CUSTOMER APPROVAL

SIGNATURE	DATE

PLEASE SIGN AND RETURN



Designer	SUGLIANI R.	Date	2016-04-01	Tolerance	±0.3	Units:	mm	Series	EN175301-803	Drawing n. 1-1
Approved	CIMMINO L.	Date	2016-04-01	Scale	1:1	Size:	A4	Customer code:		

DESCRIPTION SQUARE CONNECTOR EN175301-803(type-A), 2P.+P.E., BLACK, WITH BIPOLAR RED LED, 24V AC/DC, WITH CABLE PVC/PVC IEC332-1 H05VVF, 3G0.75mm ² , BLACK, L=1m. CONNECTOR WITH H.T.P. LOGO	H.T.P. PART NUMBER CG1N02L01C021
--	--

