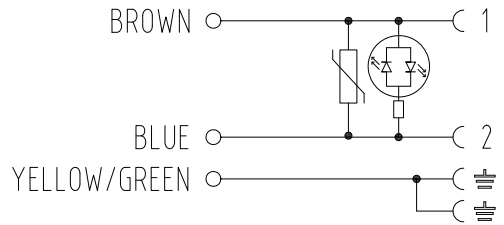
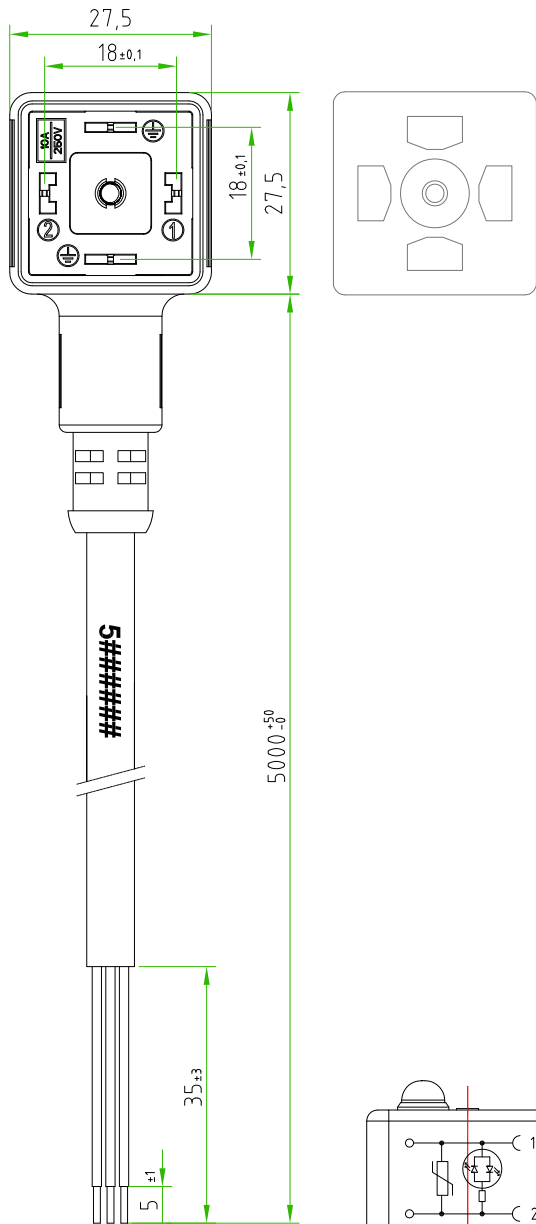


Rev.	Modify	Date	Signed	Approved

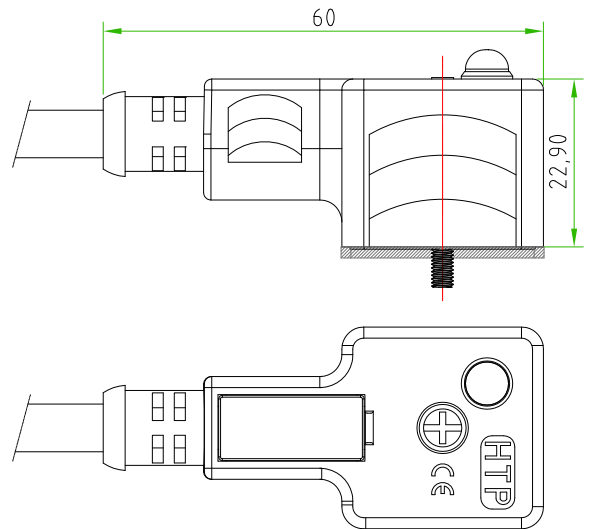
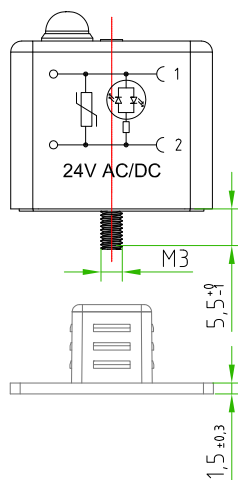


CONNECTOR FEATURES	PRODUCT TYPE	SQUARE CONNECTOR EN175301-803(type-A)
	CONNECTOR COLOUR	BLACK
	CONTACTS SPACING	18mm
	NUMBER OF CONTACTS	2POLES+2EARTHS
	EARTH POSITIONING	H.6-12
	CENTRAL FIXING SCREW	M3X0,5 L=25mm
	GASKET TYPE	INTEGRATED (NBR)
	PROTECTION CLASS	IP67
	CIRCUIT TYPE	BIPOLAR YELLOW LED+VARISTOR
RATED VOLTAGE	24V AC/DC	
CONNECTOR WITH H.T.P. LOGO		
CABLE FEATURES	H.T.P.CABLE CODE	CAVO 04
	NUMBER OF CONDUCTORS	N°3
	CONDUCTORS SECTION	0,5mm <sup>2</sup>
	CABLE MATERIAL	PVC CEI2022IIOR
	COATING COLOUR	GREY RAL7032
	CONDUCTORS INSULATION MATERIAL	PVC
	CABLE LENGHT	5000mm
	STRIPPING	35mm STANDARD
PEELING AND TINNING	5mm STANDARD	
ON THE CABLE, NEAR THE CONNECTOR HEAD, MUST BE SILK PRINTED THE H.T.P. PRODUCTION DATE CODE 5#####		

CUSTOMER APPROVAL

SIGNATURE	DATE

PLEASE SIGN AND RETURN



Designer	CIMMINO L.	Date	2016-03-08	Tolerance	±0,3	Units:	mm	Series	EN175301-803	Drawing n.	1-1
Approved	MAZZOLA M.	Date	2016-03-08	Scale	1:1	Size:	A4	Customer code:			

	DESCRIPTION	H.T.P.PART NUMBER
	SQUARE CONNECTOR EN175301-803(type-A), 2P.+P.E., BLACK, WITH BIPOLAR YELLOW LED+VARISTOR, 24V, WITH CABLE PVC/PVC, CEI2022IIOR, 3G0.5mm <sup>2</sup> , GREY COLOUR, L=5m. CONNECTOR WITH H.T.P. LOGO	CG1N02VG1C045

A4

