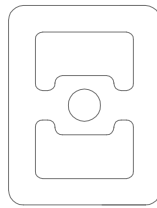
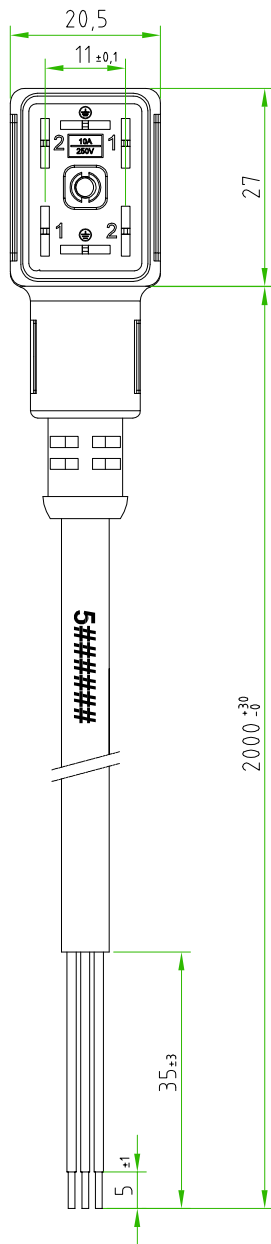


Rev.	Modify	Date	Signed	Approved
Rev.	Modify	Date	Signed	Approved
Rev.	Modify	Date	Signed	Approved
Rev.	Modify	Date	Signed	Approved

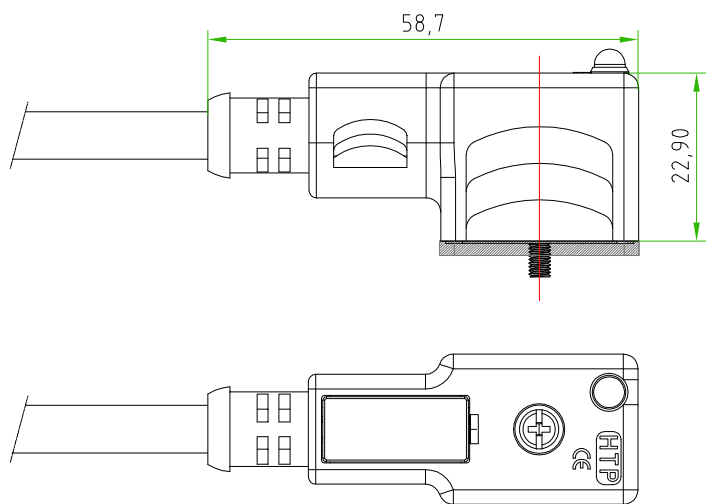
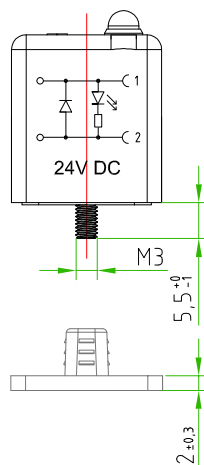


CONNECTOR FEATURES	
PRODUCT TYPE	RECTANGULAR CONNECTOR INDUSTRIAL STANDARD (TYPE B)
CONNECTOR COLOUR	BLACK
CONTACTS SPACING	11mm
NUMBER OF CONTACTS	2POLES+2EARTHS
EARTH POSITIONING	H.6-12
CENTRAL FIXING SCREW	M3X0,5 L=25mm
GASKET TYPE	INTEGRATED (NBR)
PROTECTION CLASS	IP67
CIRCUIT TYPE	RED LED+DIODE(1A)
RATED VOLTAGE	24V DC
CONNECTOR WITH H.T.P.LOGO	
CABLE FEATURES	
H.T.P.CABLE CODE	CAV0 02
NUMBER OF CONDUCTORS	N°3
CONDUCTORS SECTION	0,75mm ²
CABLE MATERIAL	PVC IEC332-1 H05VVF
COATING COLOUR	BLACK
CONDUCTORS INSULATION MATERIAL	PVC
CABLE LENGHT	2000mm
STRIPPING	35mm STANDARD
PEELING AND TINNING	5mm STANDARD
ON THE CABLE, NEAR THE CONNECTOR HEAD, MUST BE SILK PRINTED THE H.T.P. PRODUCTION DATE CODE S#####	

CUSTOMER APPROVAL

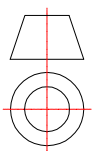
SIGNATURE	DATE

PLEASE SIGN AND RETURN



A4

Designer	CIMMINO L.	Date	2016-03-15	Tolerance	±0.3	Units	mm	Series	INDUSTRIAL STANDARD	Drawing n.	1-1
Approved	MAZZOLA M.	Date	2016-03-15	Scale	1:1	Size	A4	Customer code:			



DESCRIPTION

RECTANGULAR CONNECTOR INDUSTRIAL STANDARD (type-B), 2P.+P.E., 11mm, BLACK, WITH RED LED+DIODE, 24V, WITH CABLE PVC/PVC, IEC332-1 H05VVF, 3G0.75mm², BLACK COLOUR, L=2m. CONNECTOR WITH H.T.P.LOGO

H.T.P.PART NUMBER

CM1N02DL1C022