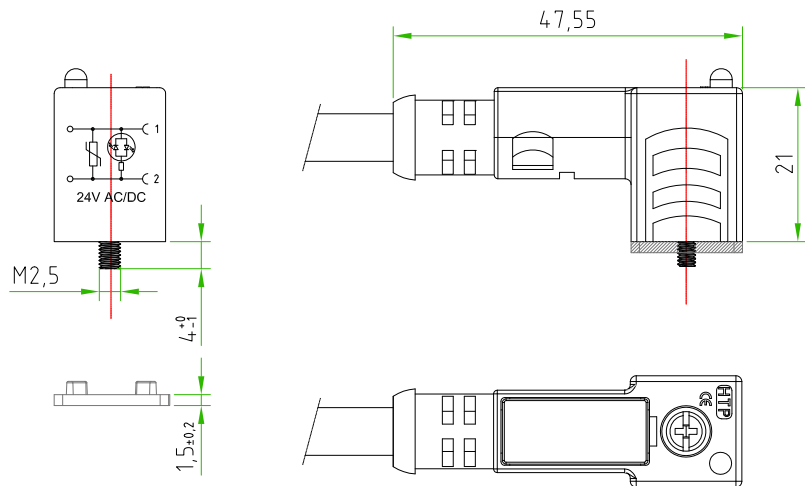


CONNECTOR FEATURES	
PRODUCT TYPE	MICRO CONNECTOR EN175301-803 (type C)
CONNECTOR COLOUR	BLACK
CONTACTS SPACING	8mm
NUMBER OF CONTACTS	2POLES+2EARTHS
EARTH POSITIONING	H.6-12
CENTRAL FIXING SCREW	M2,5X0,5 L=22,5mm
GASKET TYPE	INTEGRATED (NBR)
PROTECTION CLASS	IP67
CIRCUIT TYPE	BIPOLAR YELLOW LED+VARISTOR
RATED VOLTAGE	24V AC/DC
CONNECTOR WITH H.T.P.LOGO	
CABLE FEATURES	
H.T.P.CABLE CODE	CAVO 04
NUMBER OF CONDUCTORS	N°3
CONDUCTORS SECTION	0,5mm ²
CABLE MATERIAL	PVC CEI2022IIOR
COATING COLOUR	GREY RAL7032
CONDUCTORS INSULATION MATERIAL	PVC
CABLE LENGHT	5000mm
STRIPPING	35mm STANDARD
PEELING AND TINNING	5mm STANDARD
ON THE CABLE, NEAR THE CONNECTOR HEAD, MUST BE SILK PRINTED THE H.T.P. PRODUCTION DATE CODE 5#####	



CUSTOMER APPROVAL

SIGNATURE	DATE

PLEASE SIGN AND RETURN

Designer	SUGLIANI R.	Date	2016-03-30	Tolerance	±0.3	Units:	mm	Series	EN175301-803	Drawing n.
Approved	CIMMINO L.	Date	2016-03-30	Scale	1:1	Size:	A4	Customer code:		

	DESCRIPTION	H.T.P.PART NUMBER
	SQUARE MICRO CONNECTOR, EN175301-803 (type-C), 2P.+P.E., 8mm, BLACK, WITH BIPOLAR YELLOW LED+VARISTOR, 24V, WITH CABLE PVC/PVC, CEI2022IIOR, 3G0, 5mm ² , GREY COLOUR, L=5m, CONNECTOR WITH H.T.P.LOGO	CP1N02VG1C045

Rev.		Modify		Date		Signed		Approved	

A4

