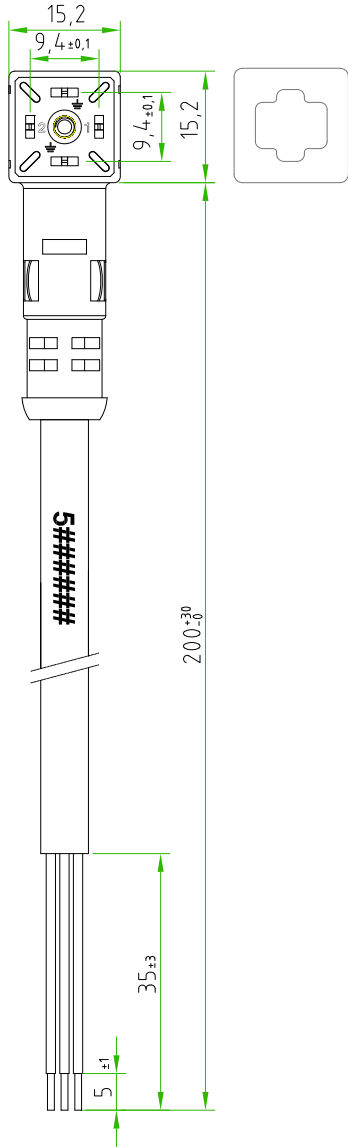
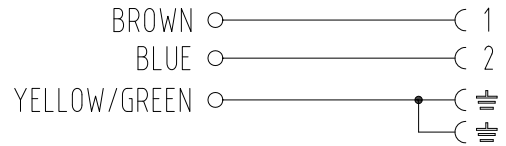
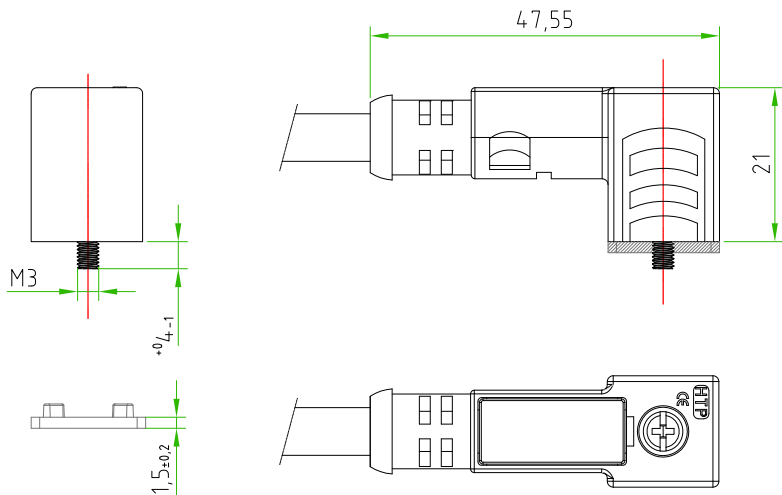


Rev.	Modify	Date	Signed	Approved



CONNECTOR FEATURES	
PRODUCT TYPE	MICRO CONNECTOR INDUSTRIAL STANDARD (type C)
CONNECTOR COLOUR	BLACK
CONTACTS SPACING	9,4mm
NUMBER OF CONTACTS	2POLES+2EARTHS
EARTH POSITIONING	H.6-12
CENTRAL FIXING SCREW	M3X0,5 L=22,5mm
GASKET TYPE	INTEGRATED (NBR)
PROTECTION CLASS	IP67
CIRCUIT TYPE	WITHOUT ELECTRONIC
RATED VOLTAGE	250V AC / 300V DC
CONNECTOR WITH H.T.P.LOGO	
CABLE FEATURES	
H.T.P.CABLE CODE	CAVO 01
NUMBER OF CONDUCTORS	N°3
CONDUCTORS SECTION	0,5mm ²
CABLE MATERIAL	PVC IEC332-1 H03VVF
COATING COLOUR	BLACK
CONDUCTORS INSULATION MATERIAL	PVC
CABLE LENGHT	200mm
STRIPPING	35mm STANDARD
PEELING AND TINNING	5mm STANDARD
ON THE CABLE,NEAR THE CONNECTOR HEAD,MUST BE SILK PRINTED THE H.T.P. PRODUCTION DATE CODE 5#####	



CUSTOMER APPROVAL

SIGNATURE	DATE

PLEASE SIGN AND RETURN

Designer	SUGLIANI R.	Date	2016-03-30	Tolerance	±0.3	Units:	mm	Series	INDUSTRIAL STANDARD	Drawing n. 1-1
Approved	CIMMINO L.	Date	2016-03-30	Scale	1:1	Size:	A4	Customer code:		

DESCRIPTION
 SQUARE MICRO CONNECTOR, INDUSTRIAL STANDARD (type-C), 2P.+P.E., 9,4mm, BLACK, WITHOUT ELECTRONIC, 250V AC / 300V DC, WITH CABLE PVC/PVC, IEC332-1 H03VVF, 3G0.5mm², BLACK COLOUR, L=0,2m. CONNECTOR WITH H.T.P. LOGO

H.T.P. PART NUMBER
 CP2N02000C010B