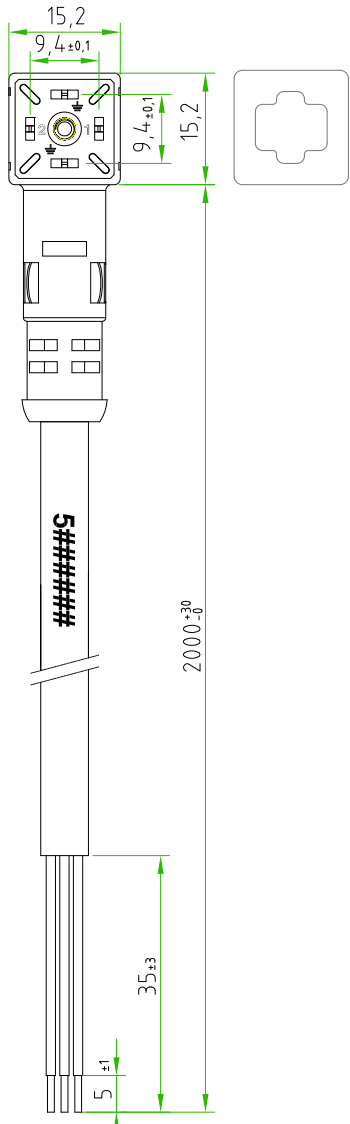
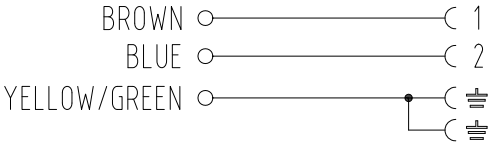
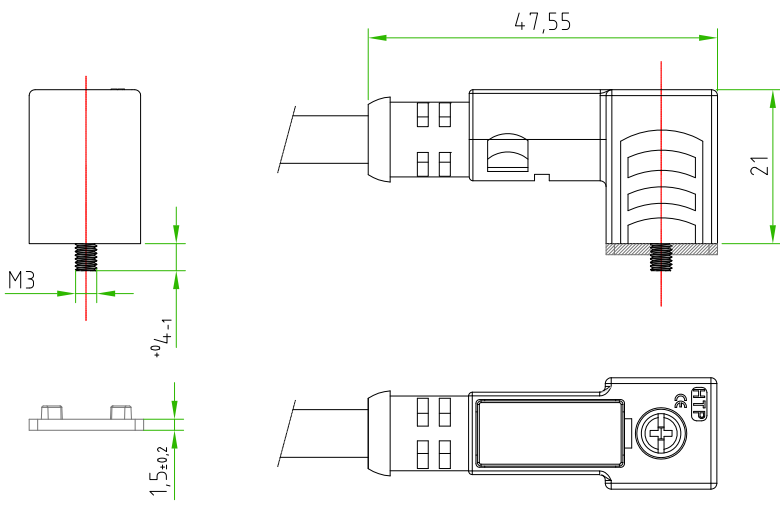


Rev.	Modify	Date	Signed	Approved



CONNECTOR FEATURES	PRODUCT TYPE	MICRO CONNECTOR INDUSTRIAL STANDARD (type C)
	CONNECTOR COLOUR	BLACK
	CONTACTS SPACING	9,4mm
	NUMBER OF CONTACTS	2POLES+2EARTHS
	EARTH POSITIONING	H.6-12
	CENTRAL FIXING SCREW	M3X0,5 L=22,5mm
	GASKET TYPE	INTEGRATED (NBR)
	PROTECTION CLASS	IP67
	CIRCUIT TYPE	WITHOUT ELECTRONIC
	RATED VOLTAGE	250V AC / 300V DC
CONNECTOR WITH H.T.P.LOGO		
CABLE FEATURES	H.T.P.CABLE CODE	CAVO 01
	NUMBER OF CONDUCTORS	N°3
	CONDUCTORS SECTION	0,5mm <sup>2</sup>
	CABLE MATERIAL	PVC IEC332-1 H03VVF
	COATING COLOUR	BLACK
	CONDUCTORS INSULATION MATERIAL	PVC
	CABLE LENGHT	2000mm
	STRIPPING	35mm STANDARD
	PEELING AND TINNING	5mm STANDARD
ON THE CABLE, NEAR THE CONNECTOR HEAD, MUST BE SILK PRINTED THE H.T.P. PRODUCTION DATE CODE 5#####		



CUSTOMER APPROVAL

SIGNATURE	DATE
<i>PLEASE SIGN AND RETURN</i>	

Designer	SUGLIANI R.	Date	2016-03-31	Tolerance	±0.3	Units:	mm	Series	INDUSTRIAL STANDARD	Drawing n.	
Approved	CIMMINO L.	Date	2016-03-31	Scale	1:1	Size:	A4	Customer code:			1-1

 <b>HTP</b> <small>HIGH TECH PRODUCTS S.R.L.</small>	<b>DESCRIPTION</b> SQUARE MICRO CONNECTOR, INDUSTRIAL STANDARD (type-C), 2P.+P.E., 9,4mm, BLACK, WITHOUT ELECTRONIC, 250V AC / 300V DC, WITH CABLE PVC/PVC, IEC332-1 H03VVF, 3G0.5mm <sup>2</sup> , BLACK COLOUR, L=2m. CONNECTOR WITH H.T.P. LOGO	<b>H.T.P. PART NUMBER</b>  CP2N02000C012
--	---	--

