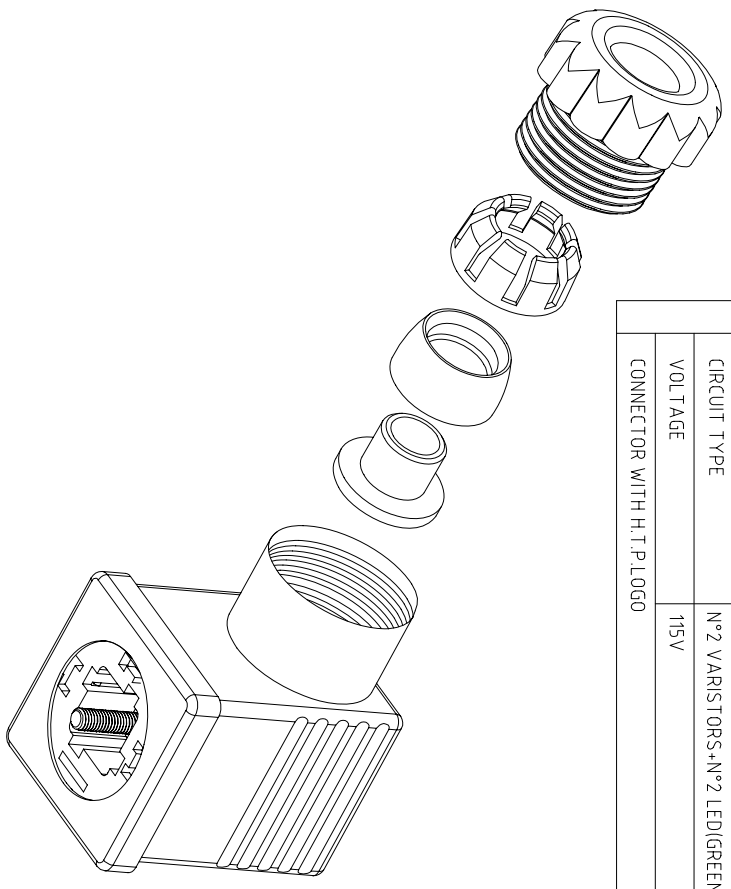


CONNECTOR FEATURES	
PRODUCT TYPE	DIN43650/A CONNECTOR FIELD ATTACHABLE
HOUSING COLOUR	TRANSPARENT
HIGH HOUSING	30mm
TYPE CONTACTS	SCREW WITH CONDUCTOR PROTECTION
CONTACT SPACING	18mm
NUMBER OF POLES	3POLES+EARTH
EARTH POSITIONING	H.12
CABLE EXIT	PG9/PG11 UNIFIED
MAXIMUM CONDUCTOR SIZE	1,5mm
FIXING SCREW	M3X32,5
PROFILED GASKET	NBR
PROTECTION CLASS	IP65
CIRCUIT TYPE	N°2 VARISTORS+N°2 LED(GREEN,RED)
VOLTAGE	115V
CONNECTOR WITH H.T.P LOGO	



TOLLERANZE	±0,2	DISIGNATORE	DATA	SCALA	PE30
UDM	ANGOLO	LORENZO CHINNO CONTROLLATO	08-01-2013	1 : 1	
DESCRIZIONE					TIPO
CONNECTOR DIN43650/A G1 SERIES CONTACT SPACING 18mm 2P-E					G1
TRANSPARENT HOUSING WITH N°2 VARISTORS+N°2 LED(GREEN-YELLOW)					
115V EXIT CABLE PG9/PG11 UNIFIED WITH H.T.P LOGO					MATERIALE
HTP High Tech Products					
HIGH TECH PRODUCTS					
H.T.P.					
G1TU32VV2					