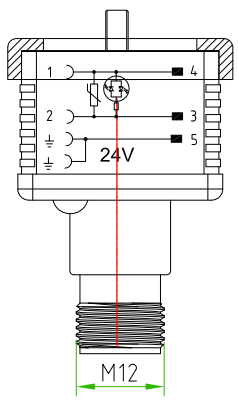
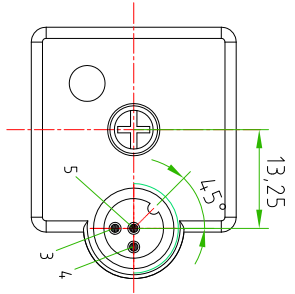
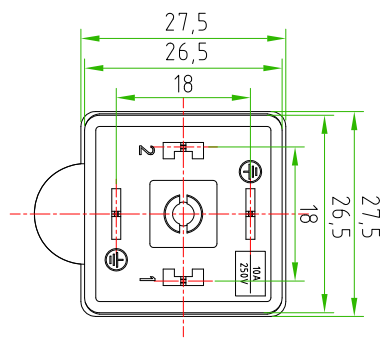
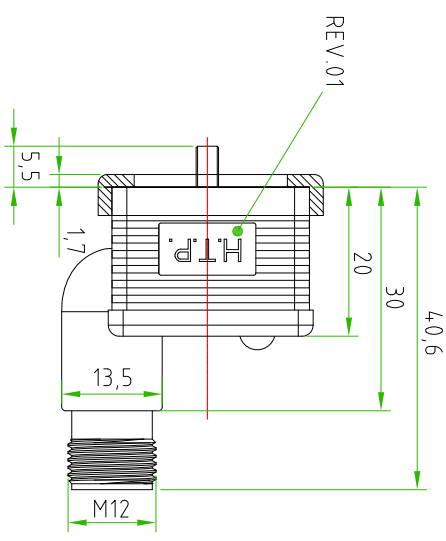
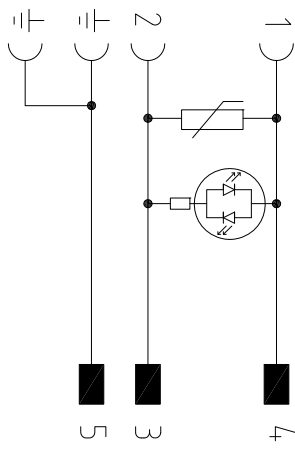
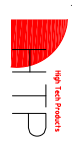


DATE	REV.	DESCRIPTION	NAME
27.01.2014	01	The direction of H.T.P. logo is changed. The H.T.P. logo is rotated by 180 degrees from previous drawing.	LORENZO CIMMINO



CONNECTOR FEATURES	
DIN43650/A	M12
CONNECTOR TYPE	CONNECTOR RED LED+VARISTOR
CONNECTOR TYPE	M12 CONNECTOR
HOUSING COLOUR	BLACK
CONTACT TYPE	MALE
EARTH POSITIONING H	2POLES+EARTH
CONTACT SPACING	18mm
PROTECTION CLASS	IP67
FIXING SCREW	M3X2.4
PROFLED GASKET	NBR
VOLTAGE	24V AC/DC
CONNECTOR RED LED+VARISTOR	
CONNECTOR TYPE	M12 CONNECTOR
TYPE CONTACTS	MALE
NUMBER OF CONTACTS	N°3
NUMBER OF CONTACTS CONNECTED	N°3
CONNECTOR WITH H.T.P. LOGO	

TOLLERANZE	DISSEGNAZIONE	DATA	SCALA	PESO
±0.3	LORENZO CIMMINO	11-12-13	1:1	
UDM	ANGOLID	CONTROLATO		
DESCRIZIONE				
ADAPTER DIN43650/A TOP EXIT 2P+E-EARTH H6/12,18mm, WITH RED LED+VARISTOR,24V,2POLES+EARTH+M12 180° MALE 3POLES CONNECTOR WITH H.T.P. LOGO				
MATERIALE				
M12				



H.T.P.
HIGH TECH PRODUCTS

CODE
GB1N02VL1C-12MD